



TLS SCSI-Cabling Diagrams

400095 Rev. G

Table of Contents

1. Introduction	6
2. Currently Active TLS Hatch Assemblies	6
TLS-42xx 2X HD68 (1x2)	6
TLS-42xx 2X HD68 (2x1)	7
TLS-44xx 4X HD68 (4x1)	8
TLS-44xx 4X HD68 (2x2)	9
TLS-46xxx 6X HD68 (6x1)	10
TLS-46xxx 6X HD68 (3x2)	11
TLS-412xxx (6x2)6 Busses, 2 Drives/Bus	12
TLS-412xxx (12x1) 12 Busses, 1 Drive/Bus	13
TLS-61xx/81xx 1X LVD/SE	14
TLS-52xx/62xx/82xx 2X LVD/SE	15
TLS-54xx/64xx/84xx 4X LVD/SE	16
TLS-58xxx/68xxx/88xxx 8X LVD/SE	17
3. Obsolete and Inactive TLS Hatch Assemblies	18
TLS-42xx 2X HD68 (1x2) HVD	18
TLS-42xx 2X HD68 (2x1) HVD	19
TLS-42xx 2X with FCO	20
TLS-44xx 4X HD68 (1x4)	21
TLS-44xx 4X HD68 (1x4) HVD	22
TLS-44xx 4X HD68 (4x1) HVD	23
TLS-44xx 4X HD68 (2x2) HVD	24
TLS-44xx 4X with FCO	25
TLS-46xxx 6X HD68 2x3 (1x6)	26
TLS-46xxx 6X HD68 2x3 (1x6) HVD	27
TLS-46xxx 6X HD68 (6x1) HVD	28
TLS-46xxx 6X HD68 (3x2) HVD	29
TLS-46xxx 6X with FCO	30
TLS-412xxx 4x3 (2x6) 4 Busses, 3 Drives/Bus or 2 Busses, 6 Drives/Bus	31
TLS-412xxx 4x3 (2x6) 4 Busses, 3 Drives/Bus or 2 Busses, 6 Drives/Bus HVD	32
TLS-412xxx (6x2) 6 Busses, 2 Drives/Bus HVD	33
TLS-412xxx (12x1) 12 Busses, 1 Drive/Bus HVD	34
TLS-412xxx 12X with FCO	35
TLS-61xx/81xx 1X HVD	36
TLS-52xx/62xx/82xx 2X HVD	37
TLS-52xx/62xx/82xx 2X FCO	38
TLS-54xx/64xx/84xx 4X HVD	39
TLS-54xx/64xx/84xx 4X FCO	40
TLS-58xxx/68xxx/88xxx 8X HVD	41
TLS-58xxx/68xxx/88xxx 8X FCO	42

Numbers in parenthesis (AxB) indicate the following: A is the number of individual SCSI buses and B is the number of tape drives possible on each bus.

Cross Reference of Cable Part Numbers

500848-15-5.....	31
500848-16-3.....	12
500848-17-1.....	32
500848-18-9.....	33
500848-22-1.....	6
500848-23-9.....	21
500848-24-7.....	9
500848-26-2.....	26
500848-27-0.....	11
500848-28-8.....	18
500848-29-6.....	22
500848-30-4.....	24
500848-32-0.....	27
500848-33-8.....	29
500848-41-1.....	20
500848-42-9.....	25
500848-43-7.....	30
500848-44-5.....	35
500848-45-2.....	38
500848-46-0.....	40
500848-47-8.....	42
500848-48-6.....	7
500848-50-2.....	10
500848-51-0.....	13
500848-52-8.....	19
500848-53-6.....	23
500848-54-4.....	28
500848-55-1.....	34
500858-49-4.....	8
TLS-52xx/62xx/82xx.....	15
TLS-52xx/62xx/82xx HVD.....	37
TLS-54xx/64xx/84xx.....	16
TLS-54xx/64xx/84xx HVD.....	39
TLS-58xxx/68xxx/88xxx.....	17
TLS-58xxx/68xxx/88xxx HVD.....	41
TLS-61xx/81xx.....	14
TLS-61xx/81xx HVD.....	36

1. Introduction

This document depicts the standard, and where applicable, optional SCSI cabling schemes of all TLS-Series tape libraries. One configuration must be specified for each TLS-4000 Series library when it is ordered. A “Bridge Cable” is frequently shown connecting individual SCSI busses together. Where shown, this bridge cable (P/N: 501087-01-9) is included with the indicated library. Use of these bridge cables is optional and dependent upon the final system requirements.

2. Currently Active TLS Hatch Assemblies

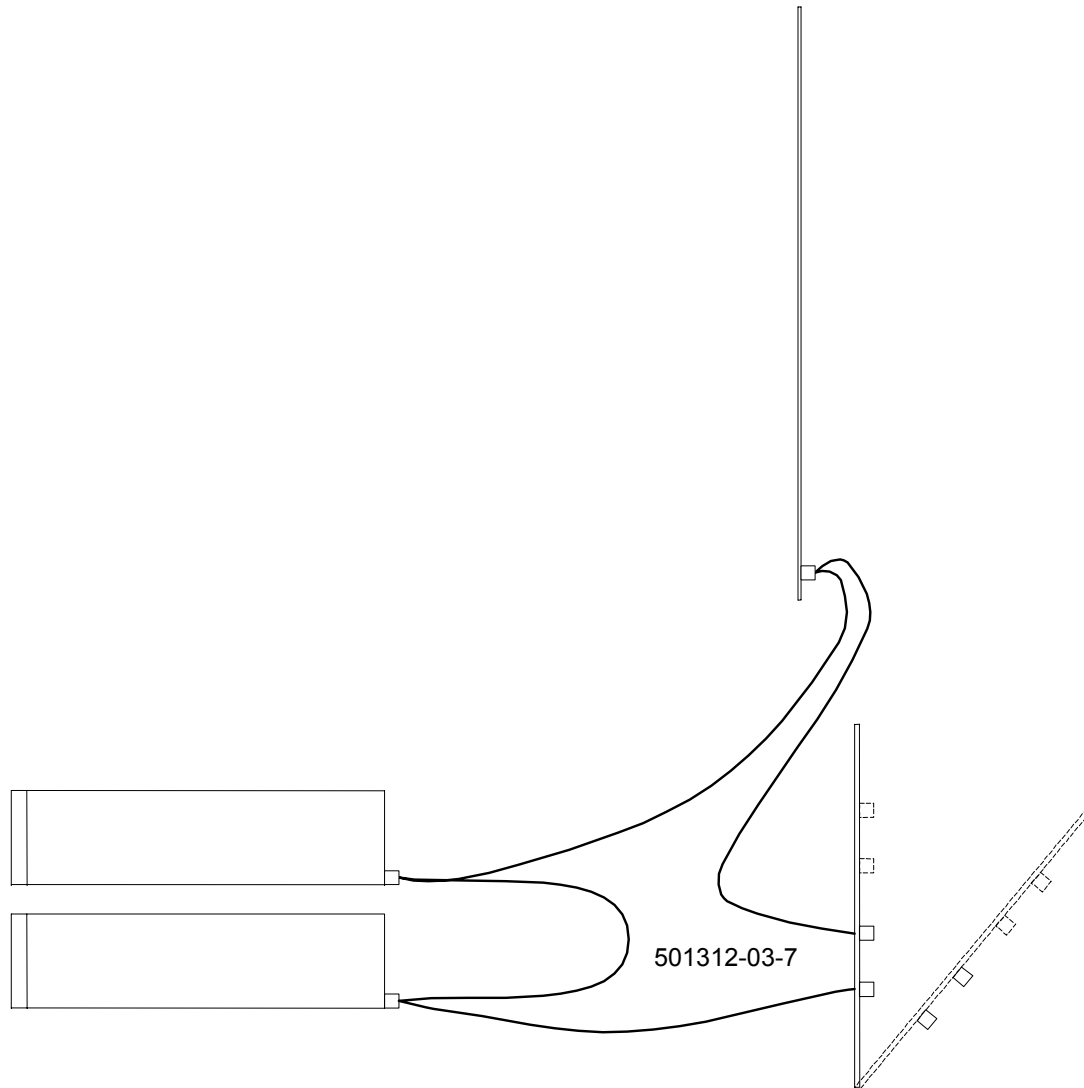


Figure 2-1 500848-22-1

TLS-42xx 2X HD68 (1x2)

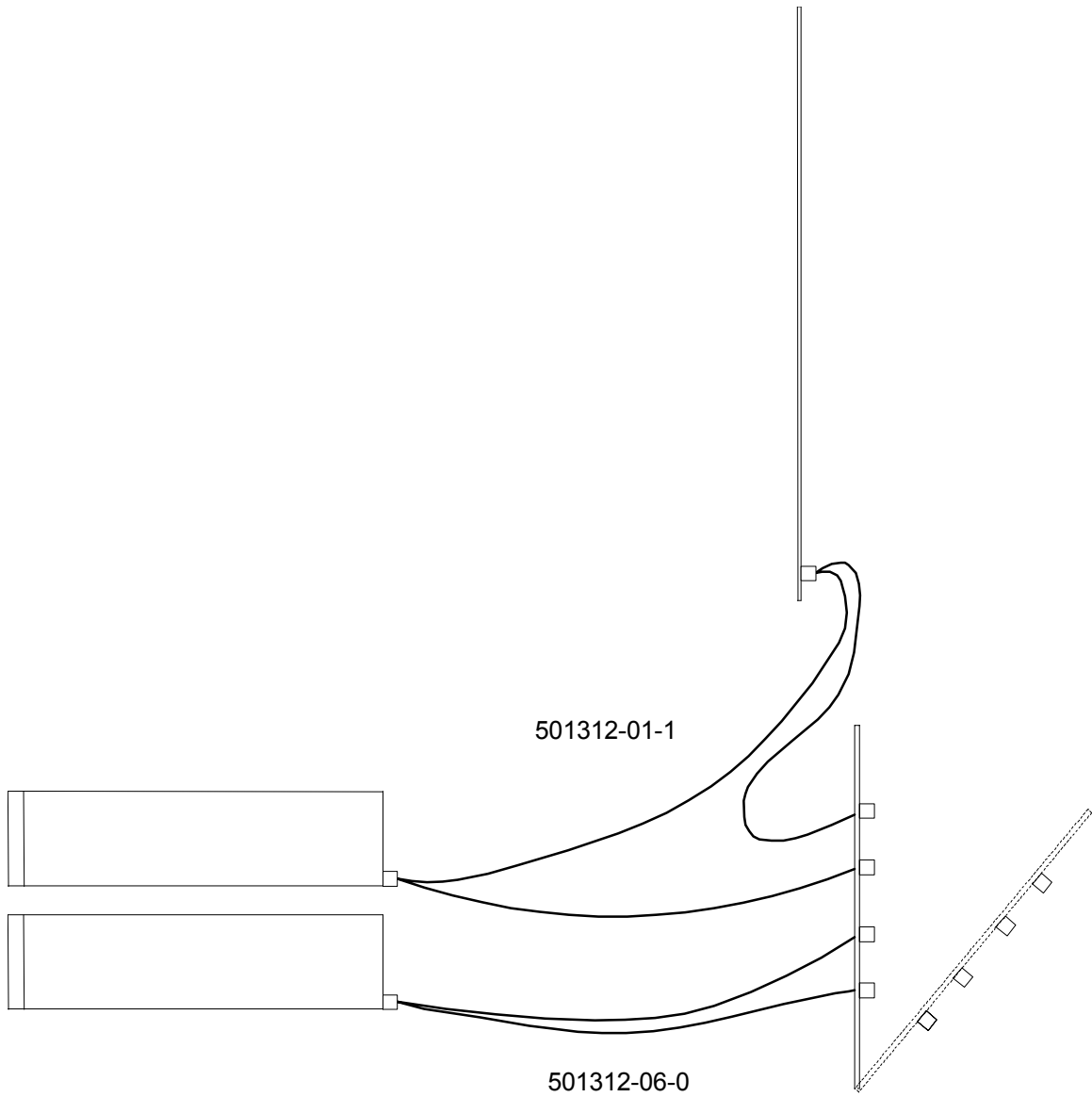


Figure 2-2 500848-48-6
TLS-42xx 2X HD68 (2x1)

Currently Active TLS Hatch Assemblies

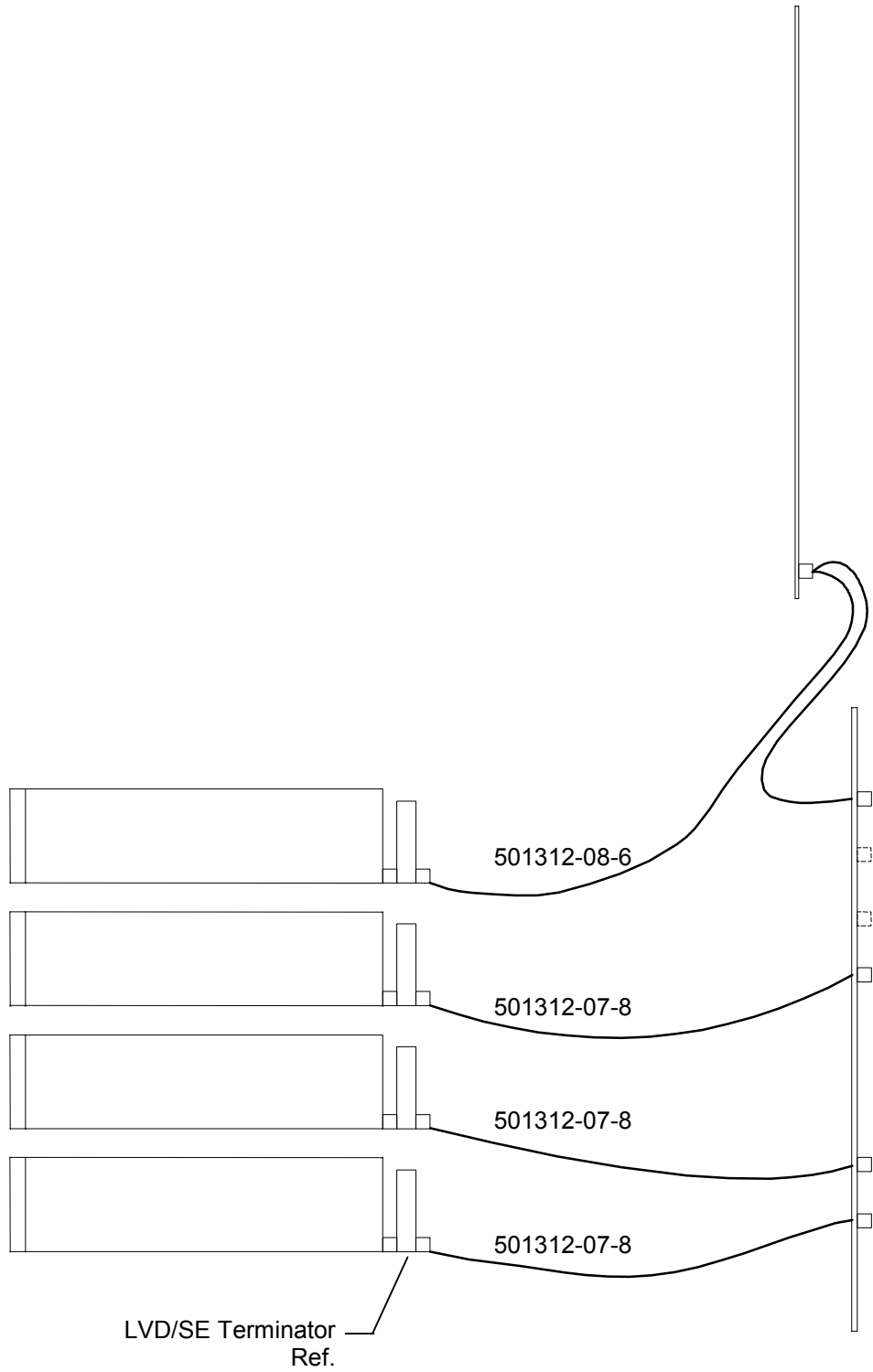


Figure 2-3 500858-49-4

TLS-44xx 4X HD68 (4x1)

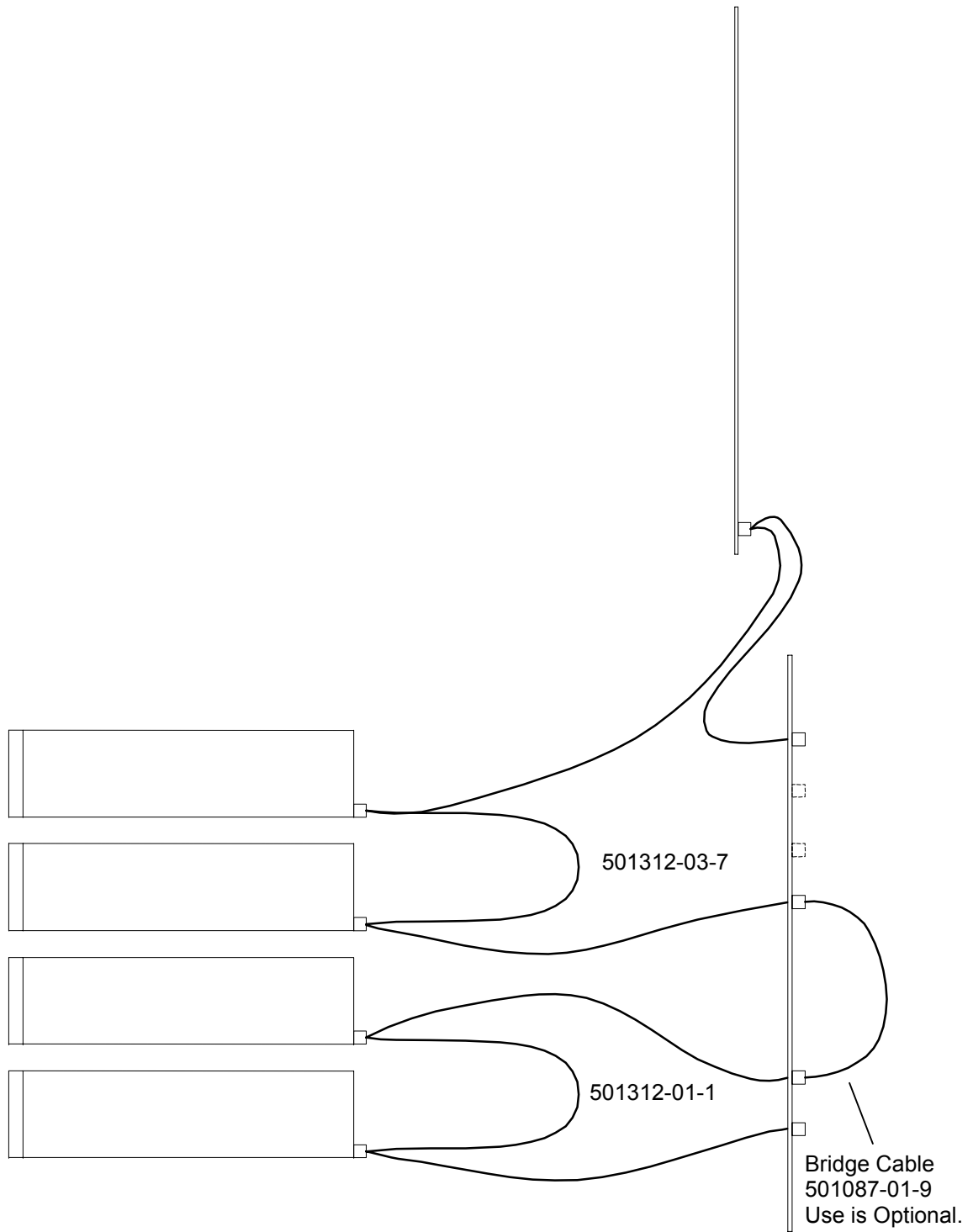


Figure 2-4 500848-24-7

TLS-44xx 4X HD68 (2x2)

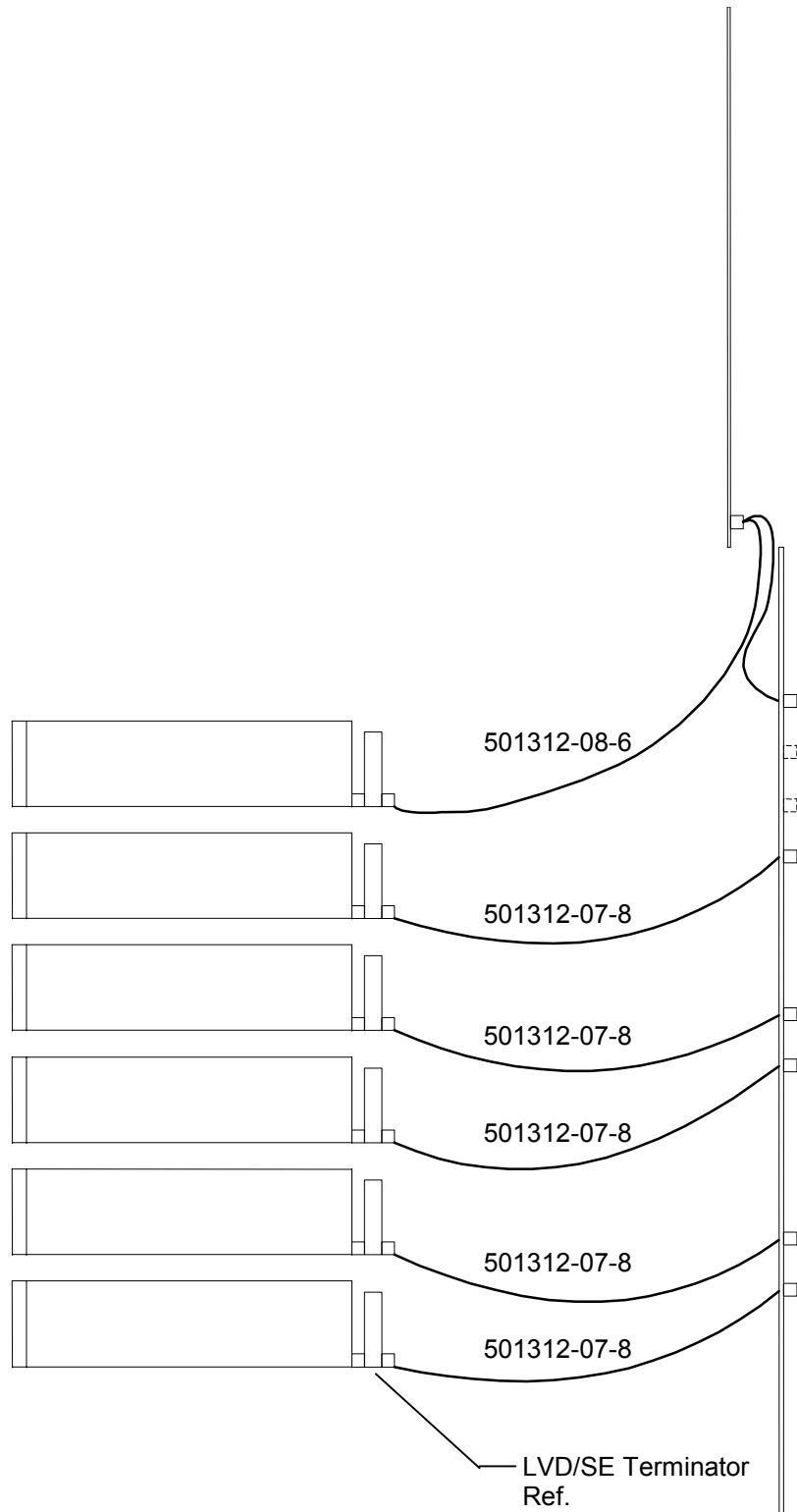


Figure 2-5 500848-50-2

TLS-46xxx 6X HD68 (6x1)

Currently Active TLS Hatch Assemblies

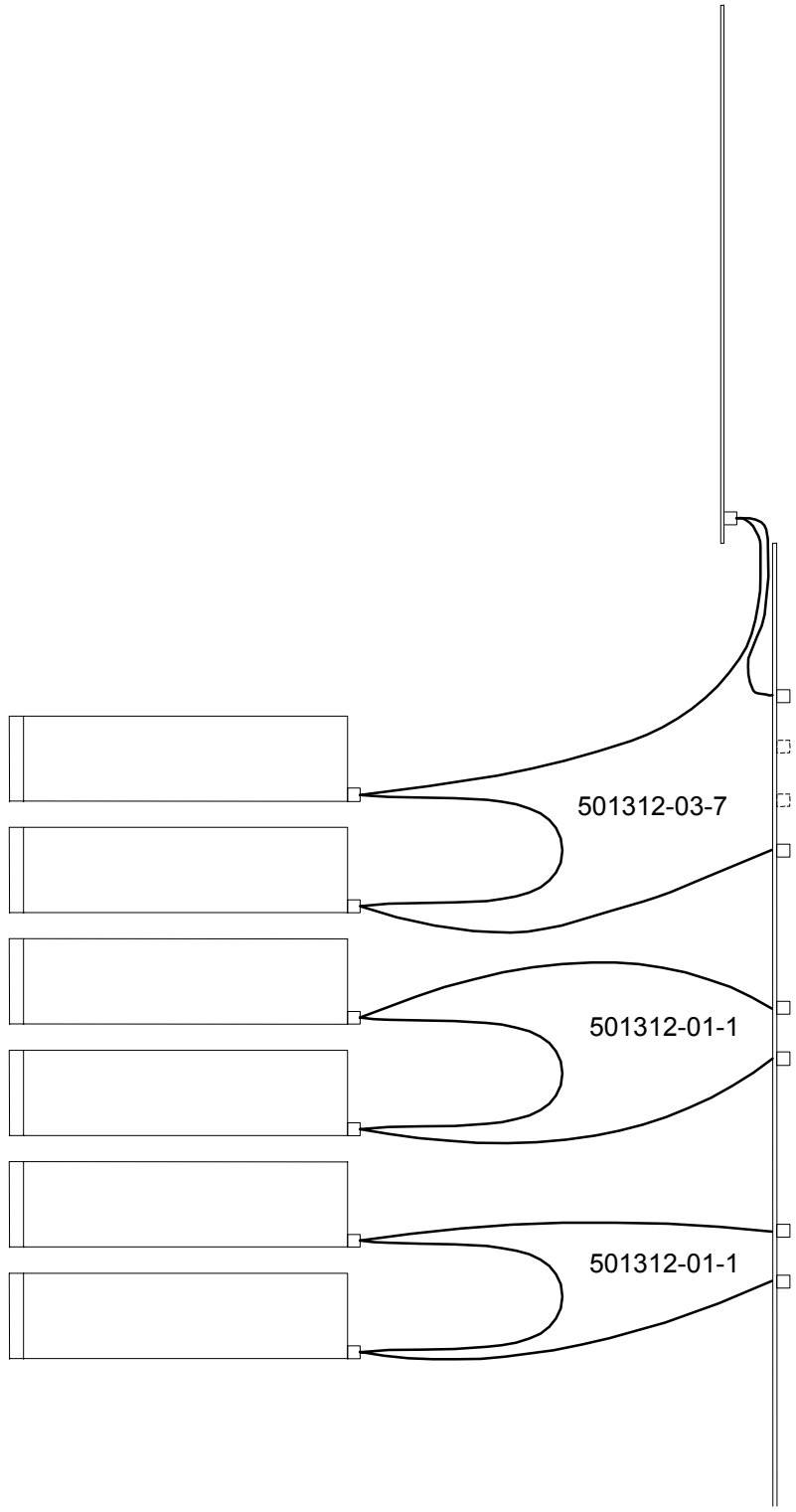


Figure 2-6 500848-27-0

TLS-46xxx 6X HD68 (3x2)

Currently Active TLS Hatch Assemblies

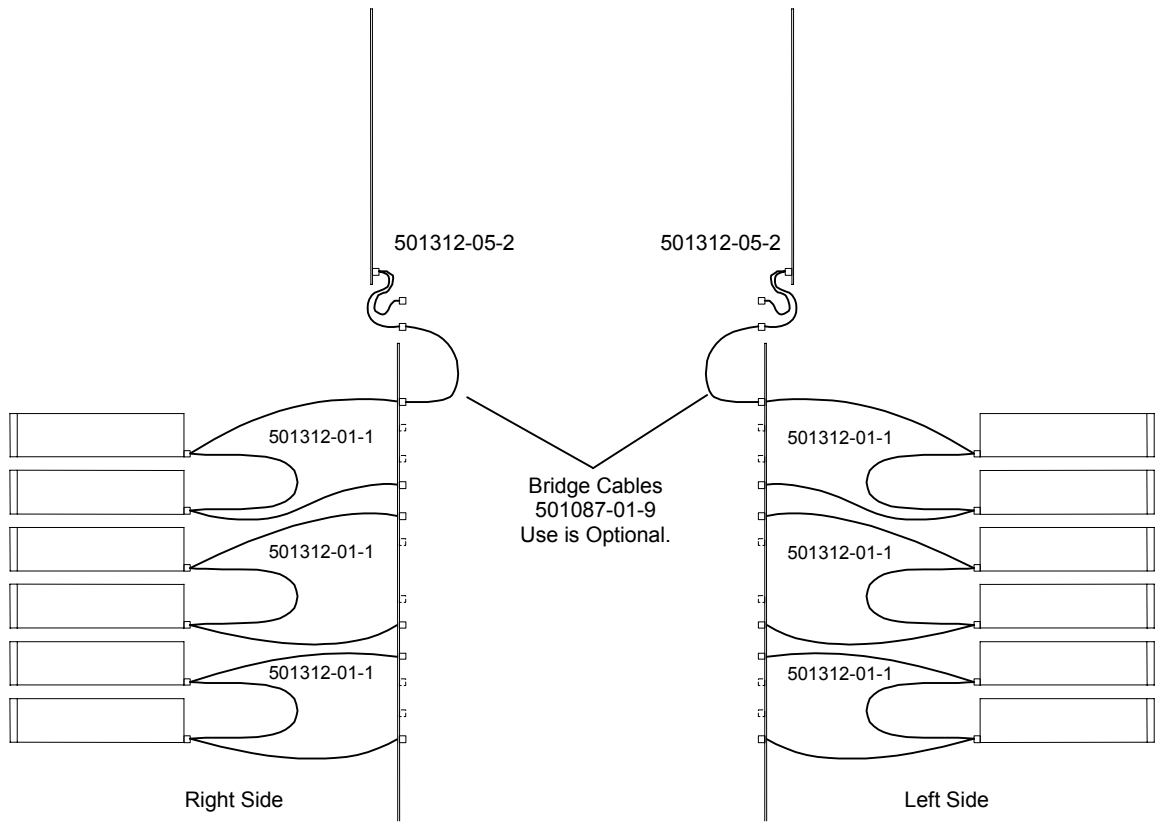


Figure 2-7 500848-16-3

TLS-412xxx (6x2)6 Busses, 2 Drives/Bus

Currently Active TLS Hatch Assemblies

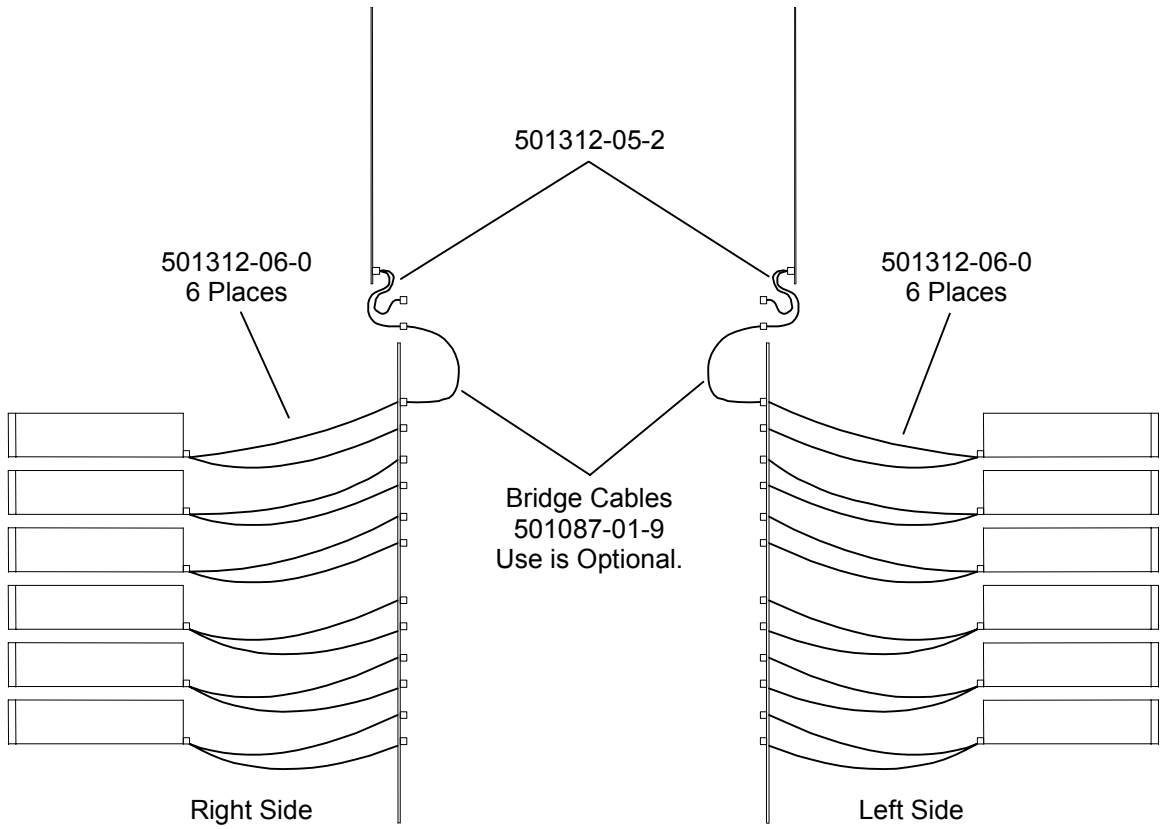


Figure 2-8 500848-51-0

TLS-412xxx (12x1) 12 Busses, 1 Drive/Bus

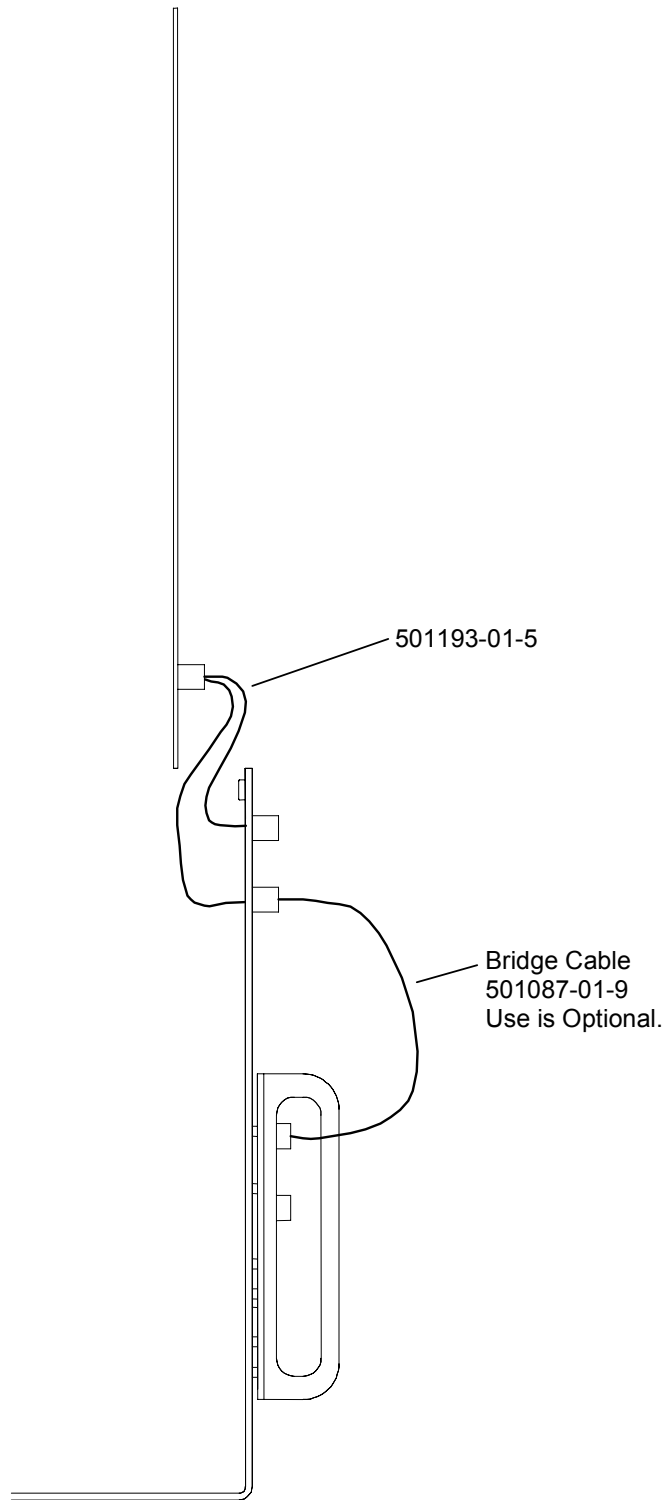


Figure 2-9 TLS-61xx/81xx

TLS-61xx/81xx 1X LVD/SE

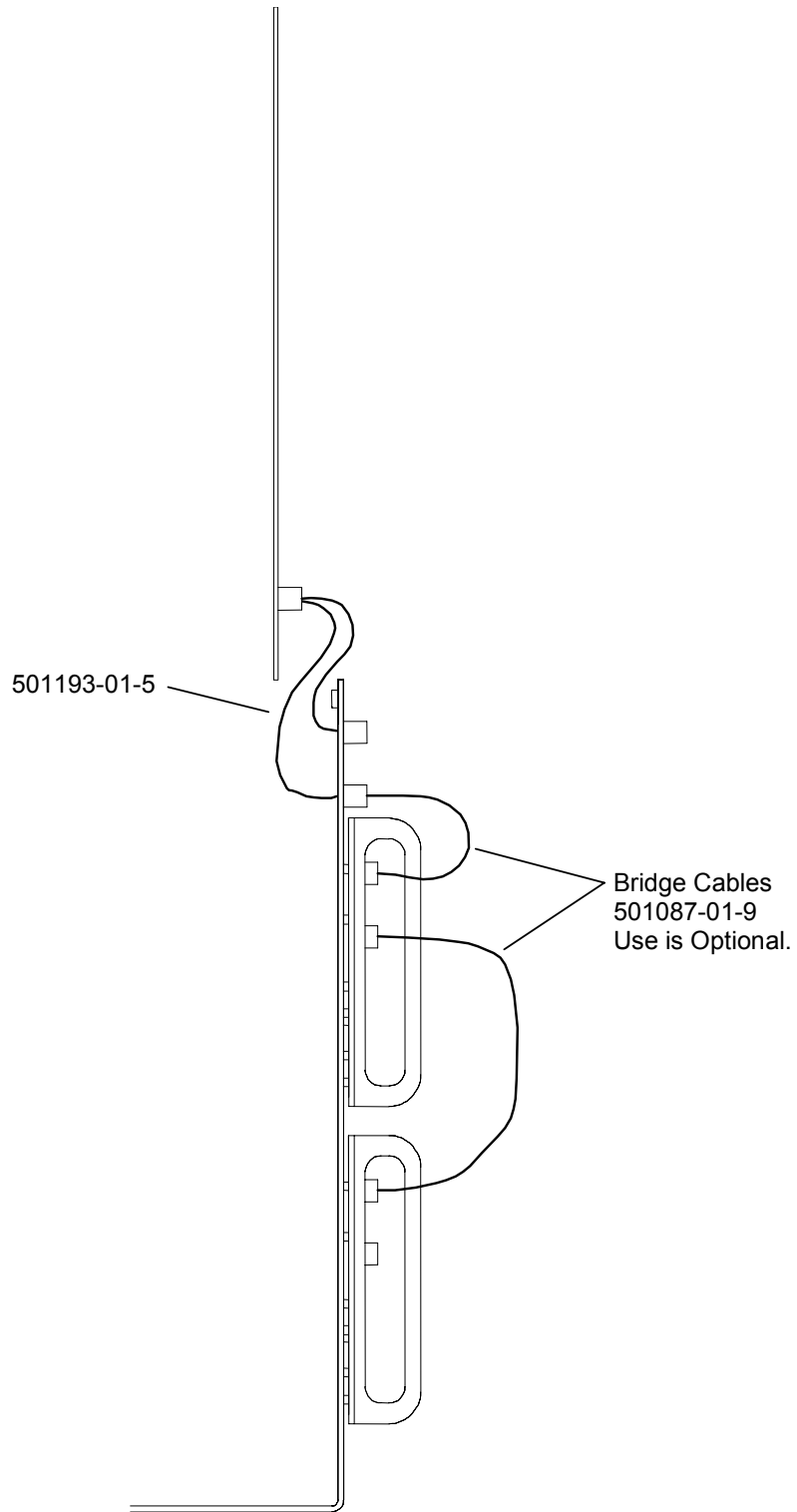


Figure 2-10 TLS-52xx/62xx/82xx

TLS-52xx/62xx/82xx 2X LVD/SE

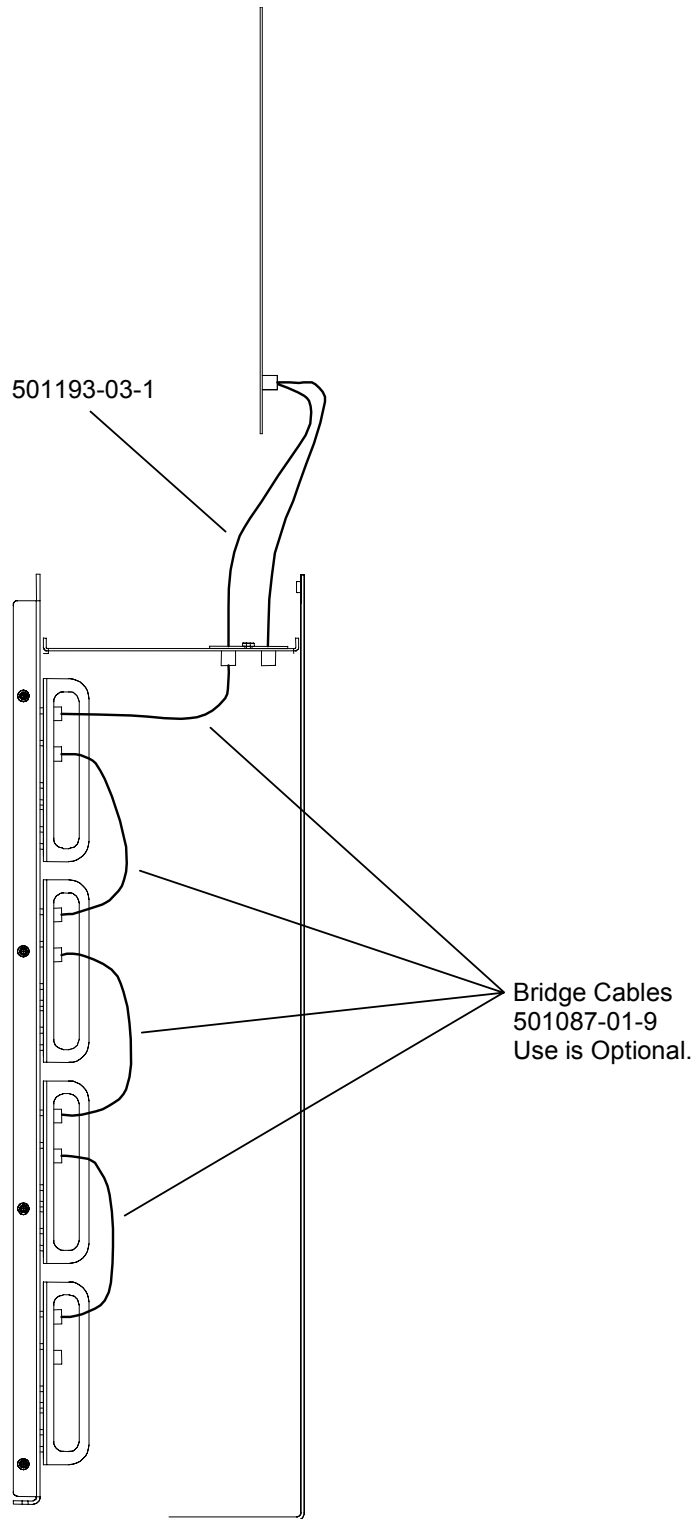


Figure 2-11 TLS-54xx/64xx/84xx

TLS-54xx/64xx/84xx 4X LVD/SE

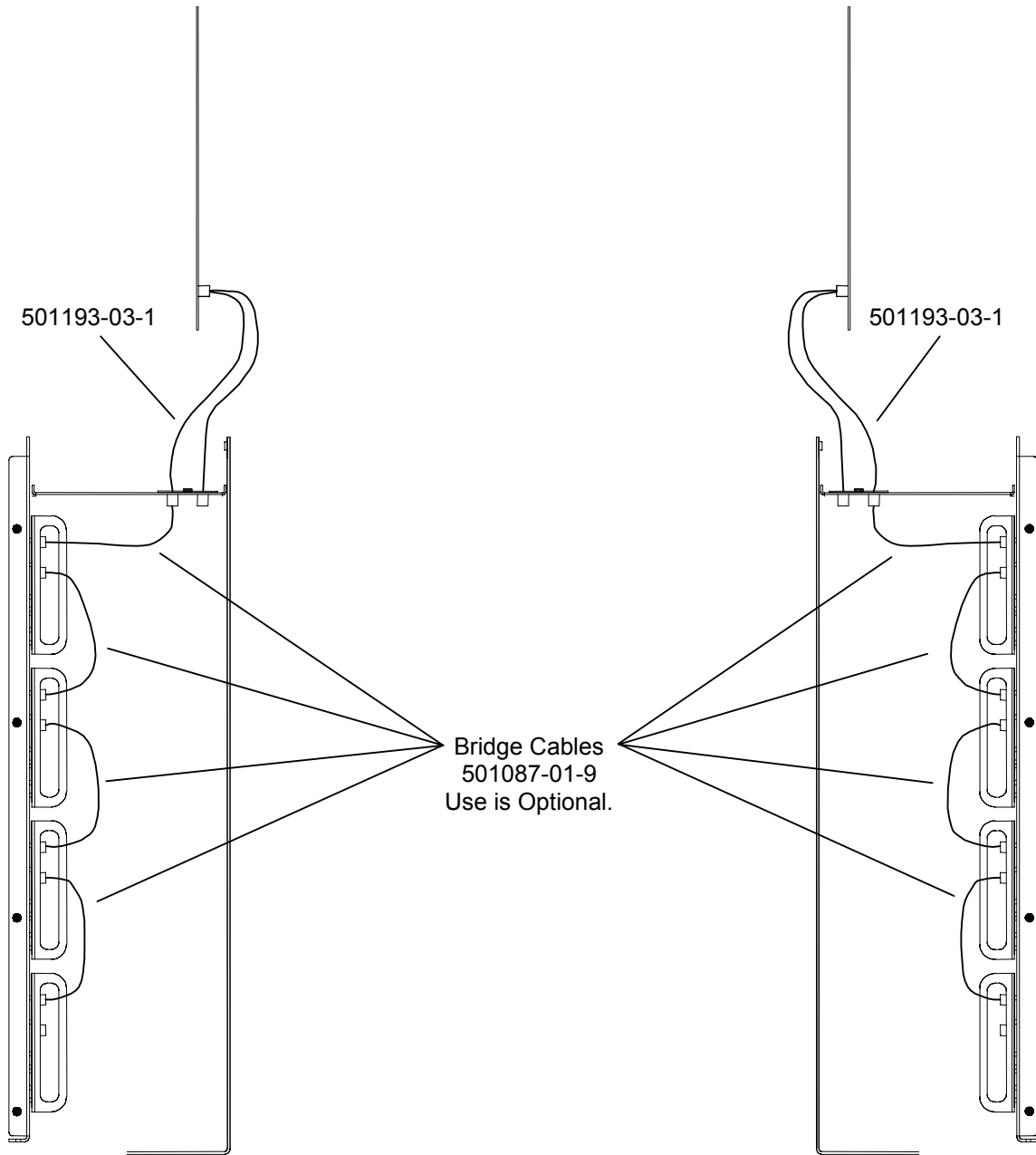


Figure 2-12 TLS-58xxx/68xxx/88xxx
TLS-58xxx/68xxx/88xxx 8X LVD/SE

3. Obsolete and Inactive TLS Hatch Assemblies

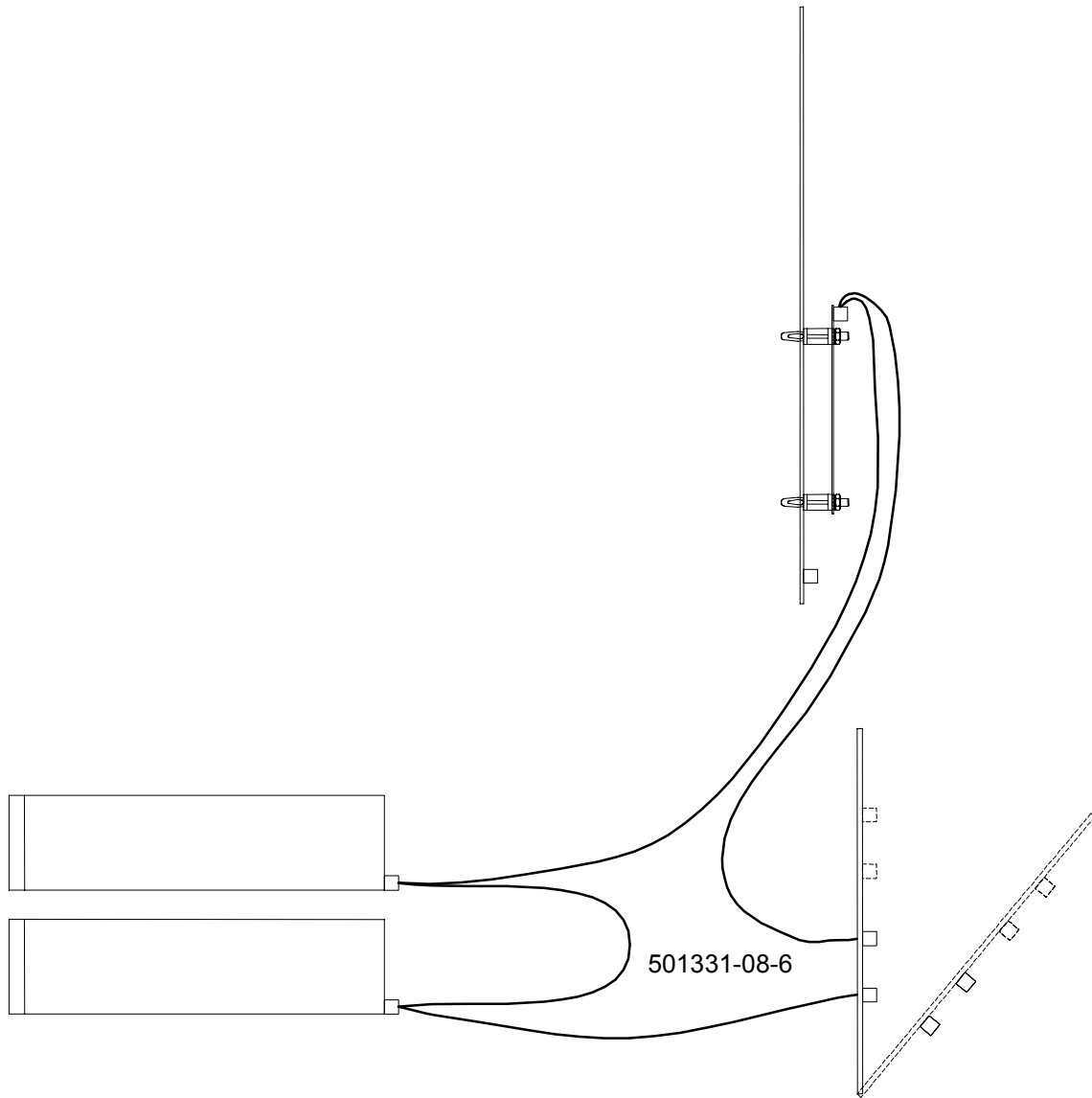


Figure 3-1 500848-28-8
TLS-42xx 2X HD68 (1x2) HVD

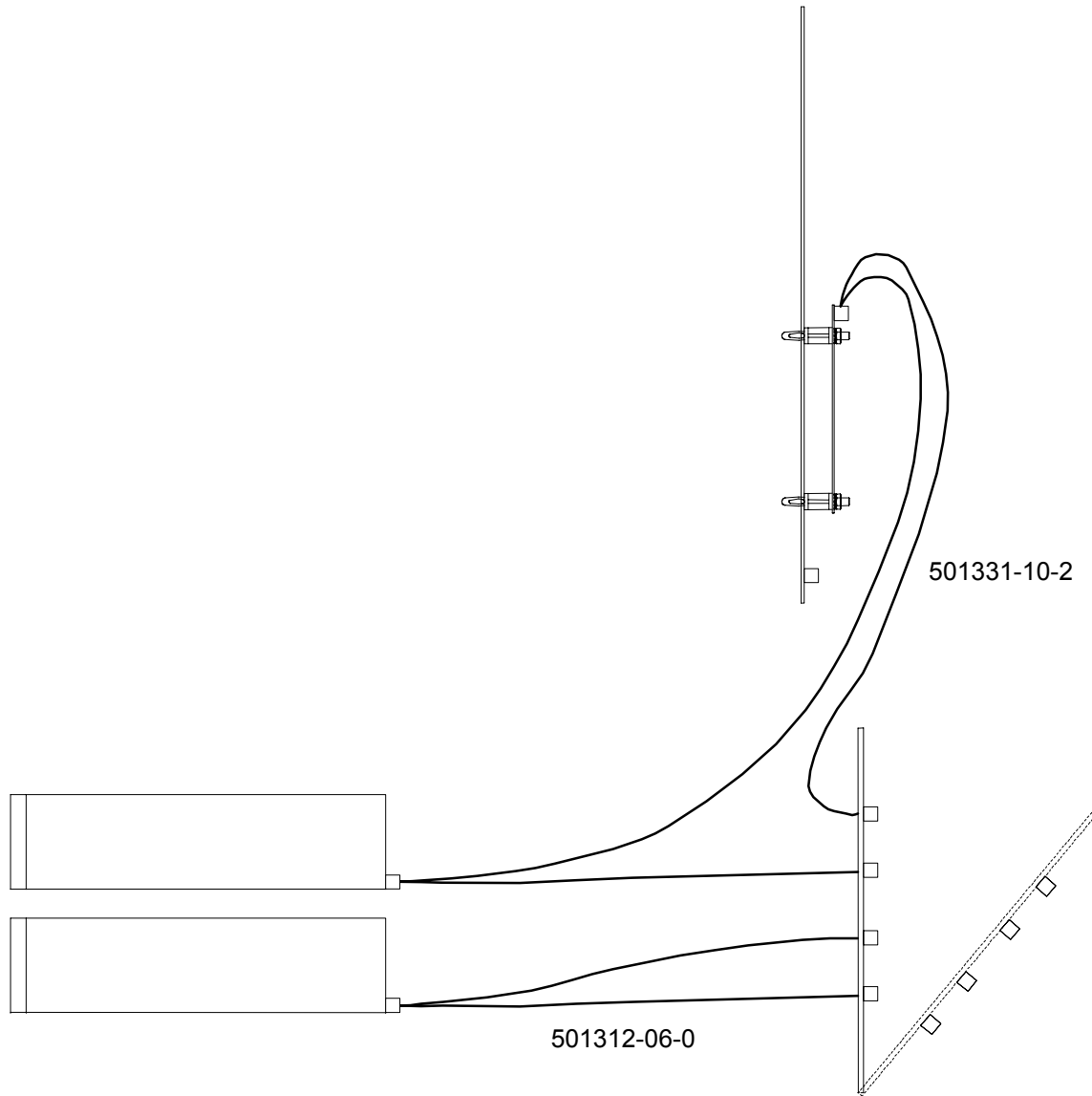


Figure 3-2 500848-52-8
TLS-42xx 2X HD68 (2x1) HVD

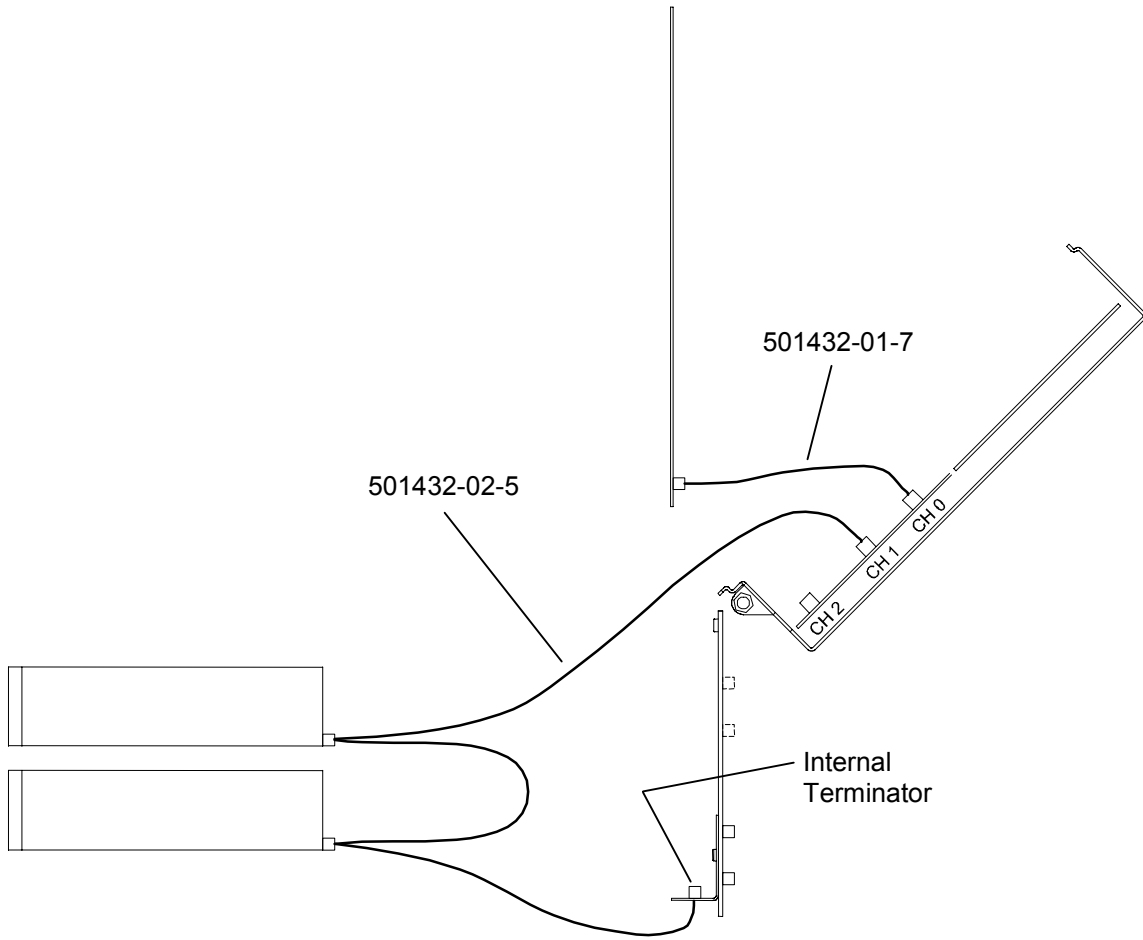


Figure 3-3 500848-41-1

TLS-42xx 2X with FCO

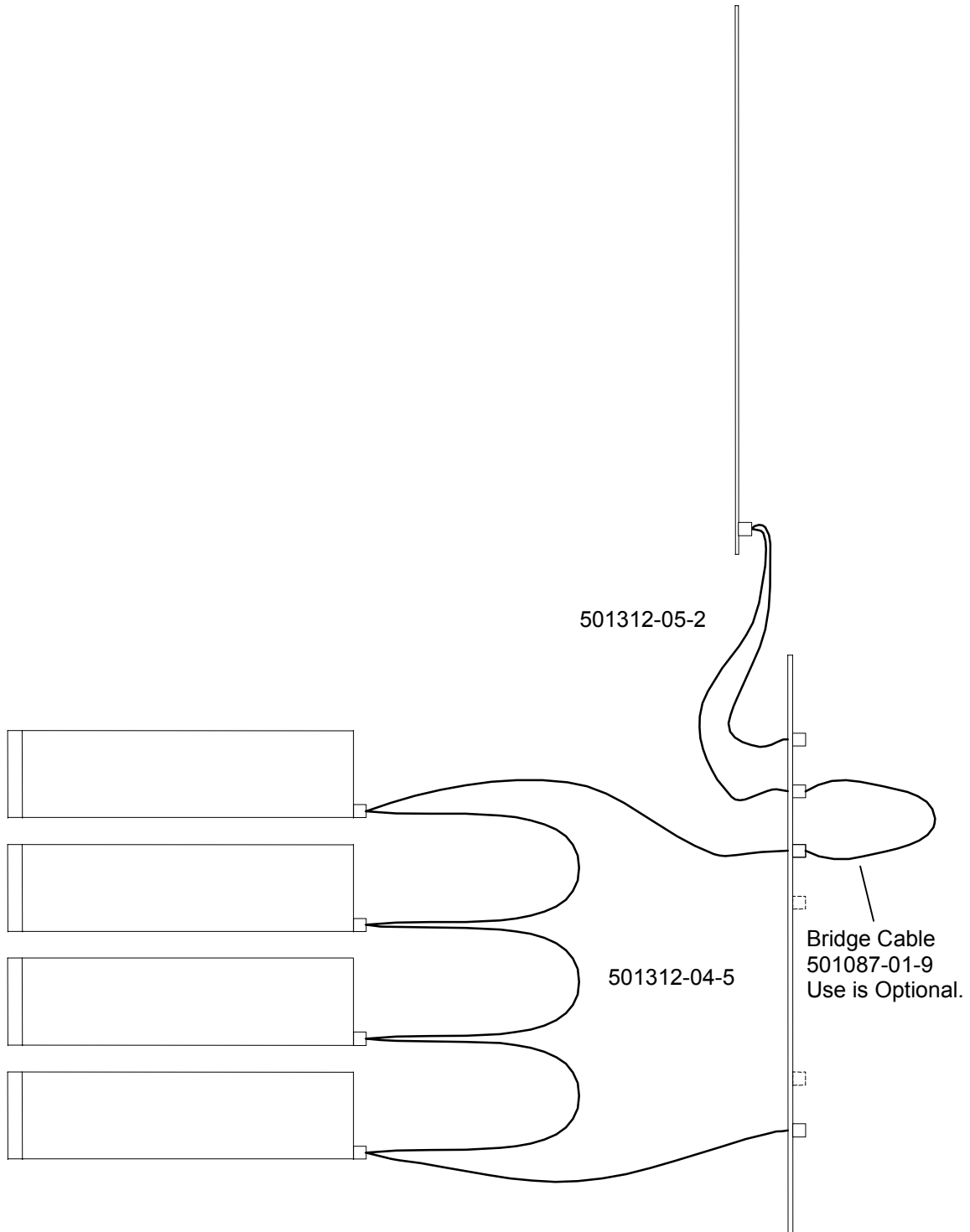


Figure 3-4 500848-23-9

TLS-44xx 4X HD68 (1x4)

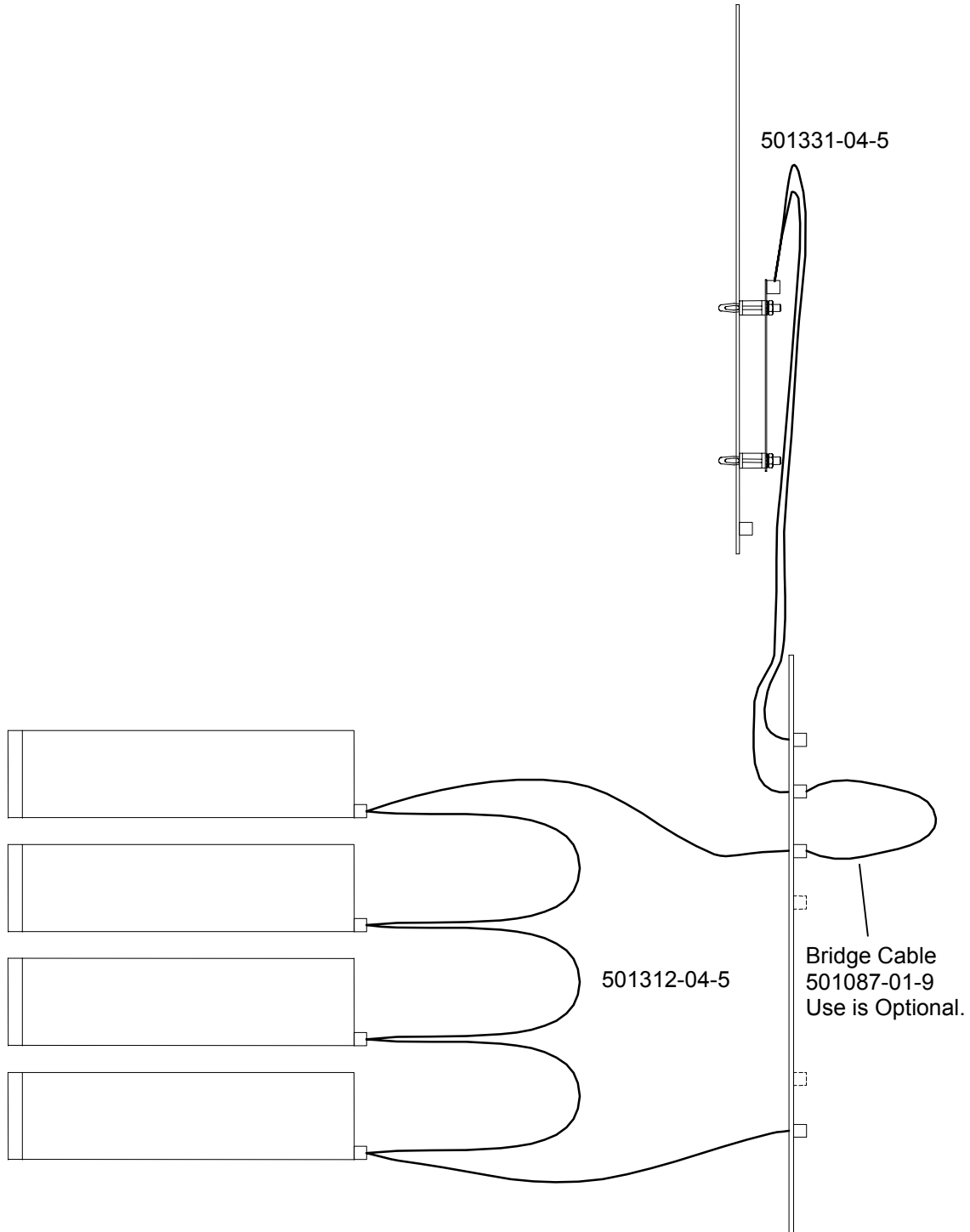


Figure 3-5 500848-29-6

TLS-44xx 4X HD68 (1x4) HVD

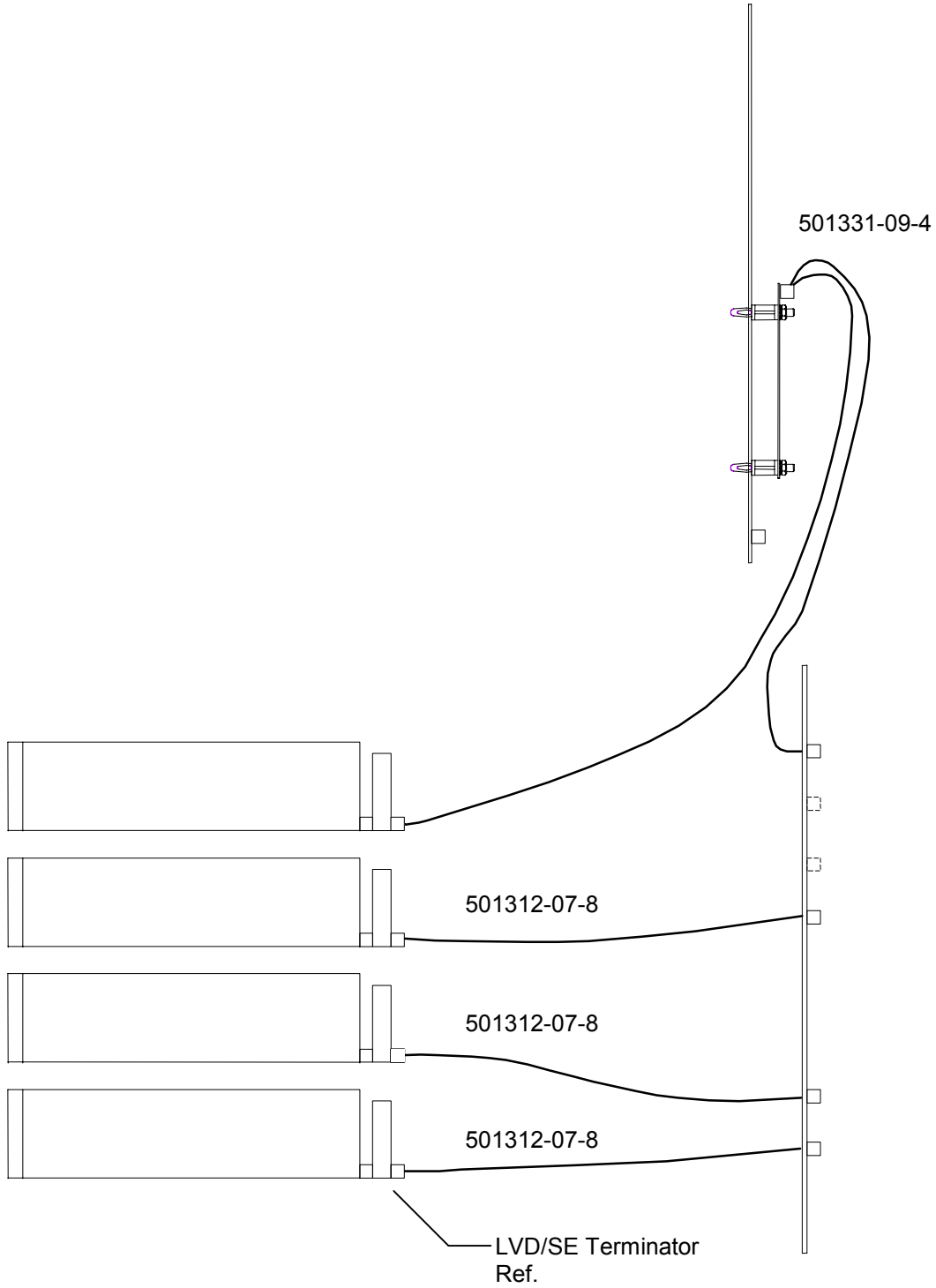


Figure 3-6 500848-53-6

TLS-44xx 4X HD68 (4x1) HVD

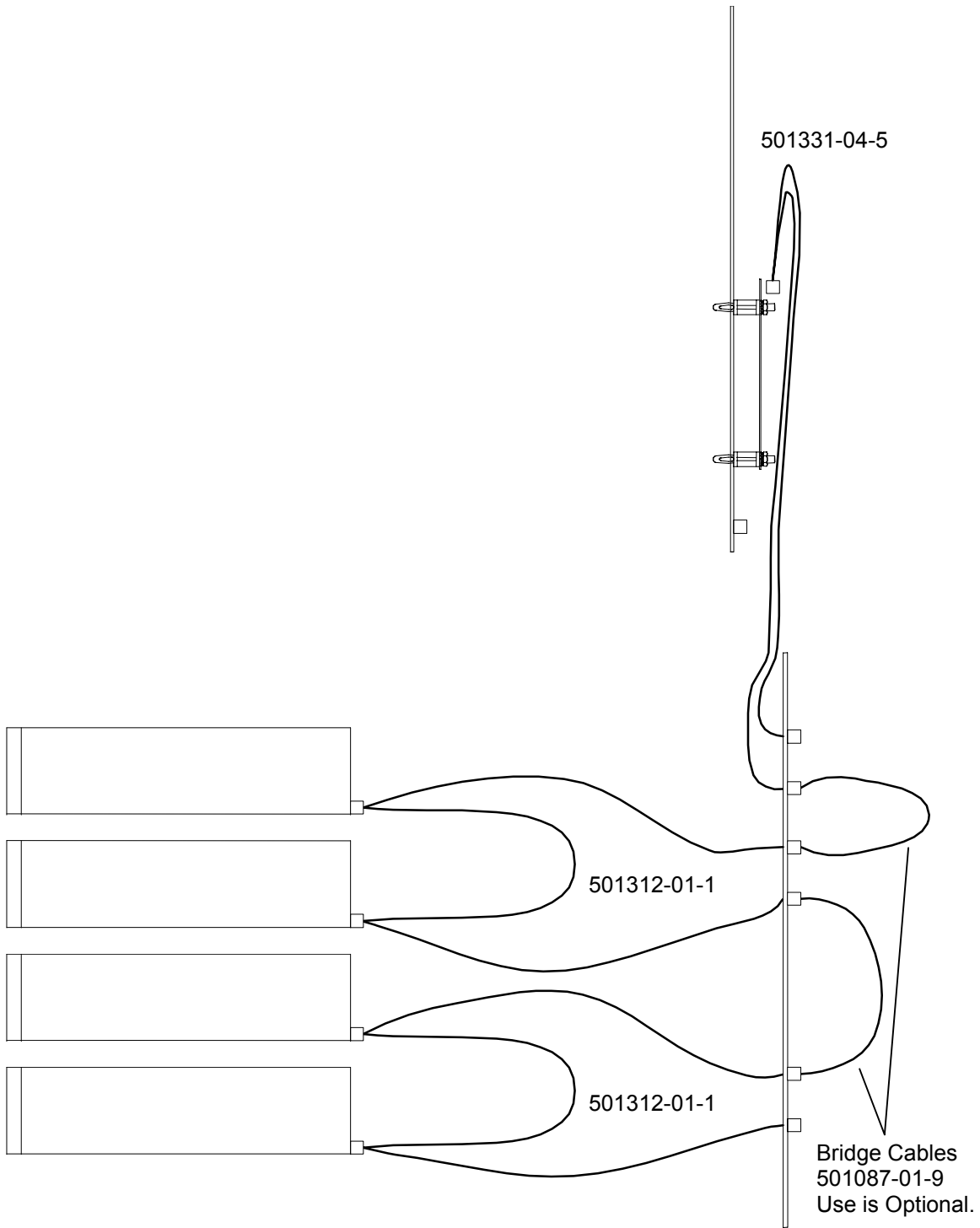


Figure 3-7 500848-30-4

TLS-44xx 4X HD68 (2x2) HVD

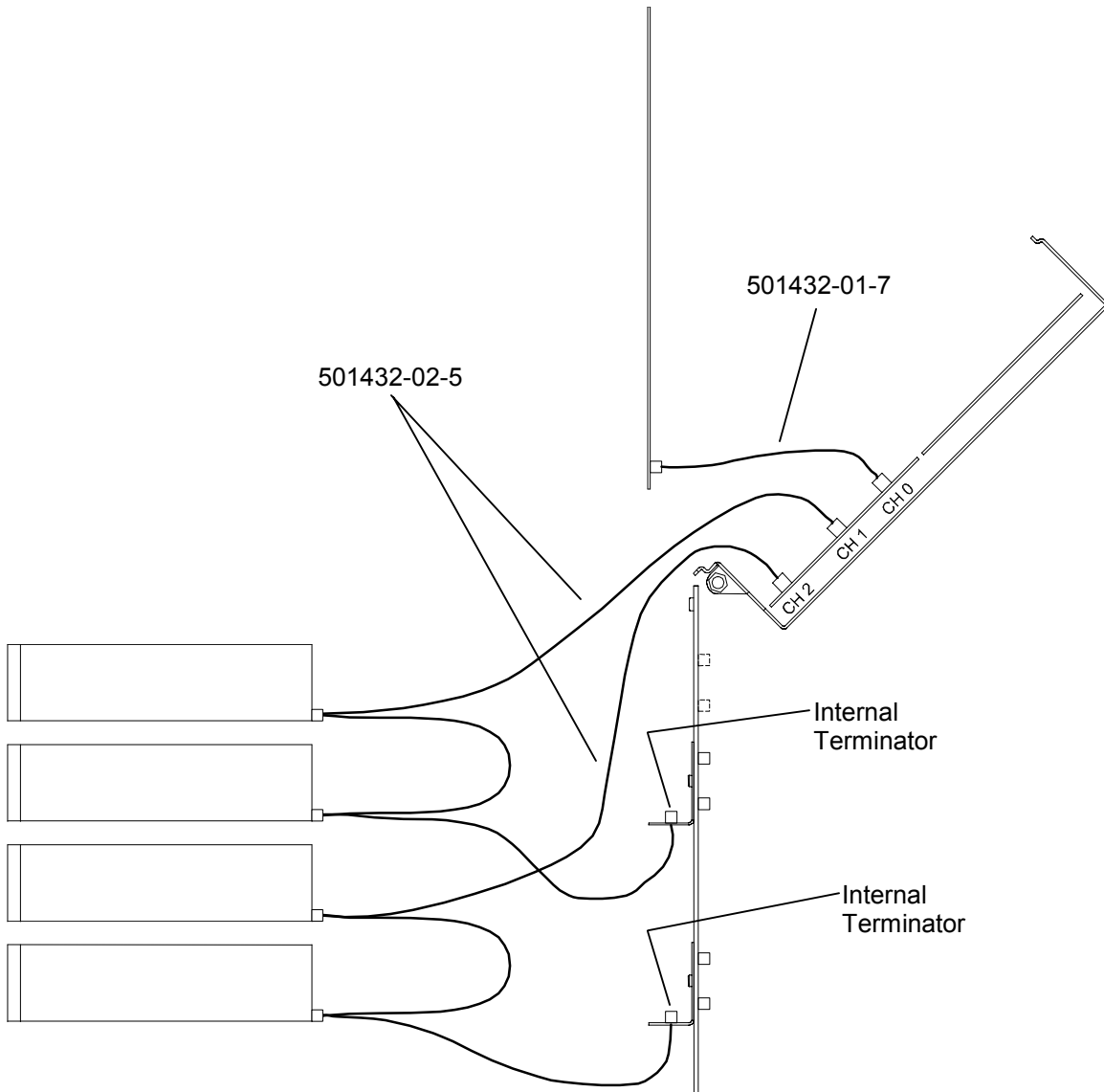


Figure 3-8 500848-42-9

TLS-44xx 4X with FCO

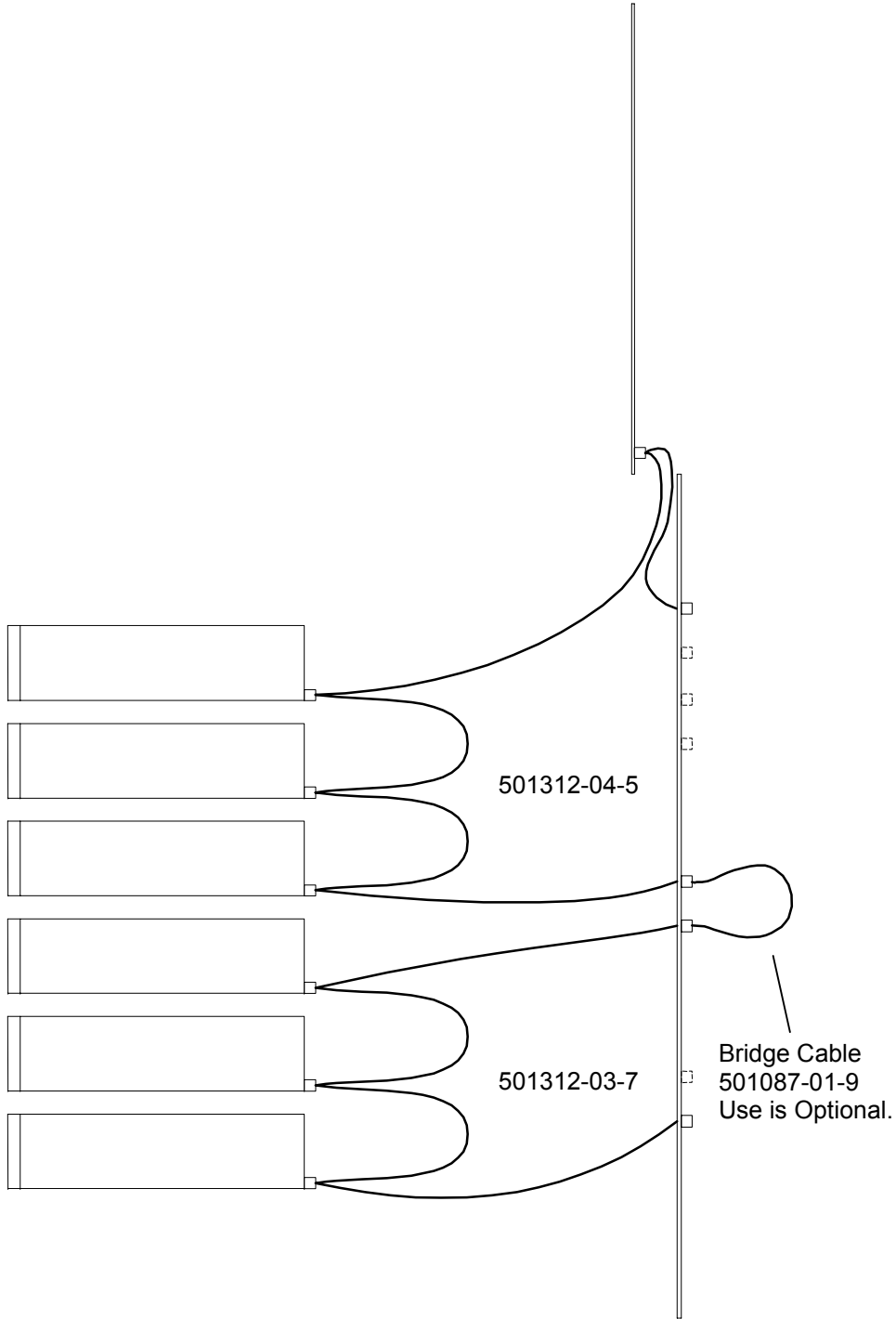


Figure 3-9 500848-26-2

TLS-46xxx 6X HD68 2x3 (1x6)

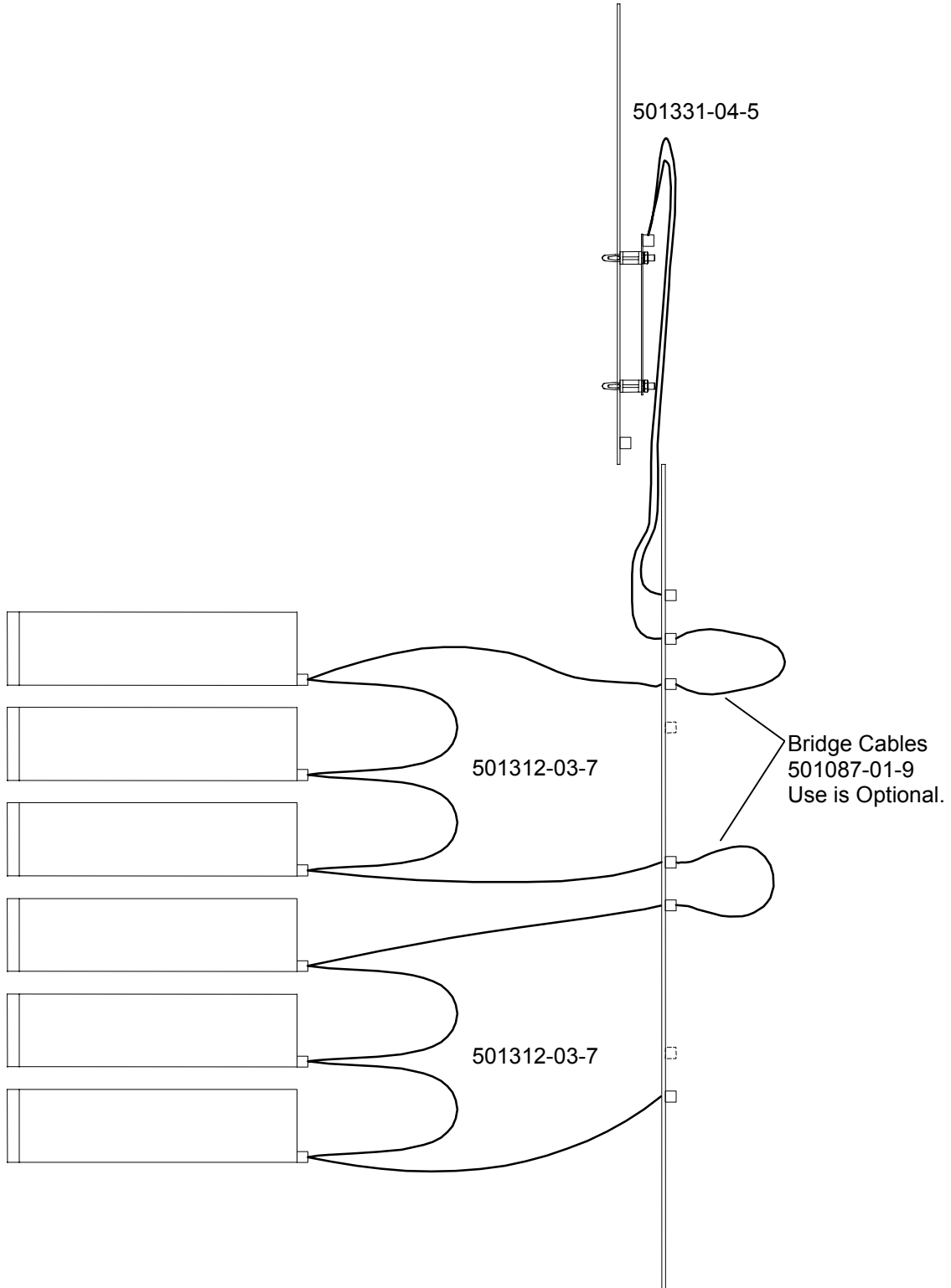


Figure 3-10 500848-32-0

TLS-46xxx 6X HD68 2x3 (1x6) HVD

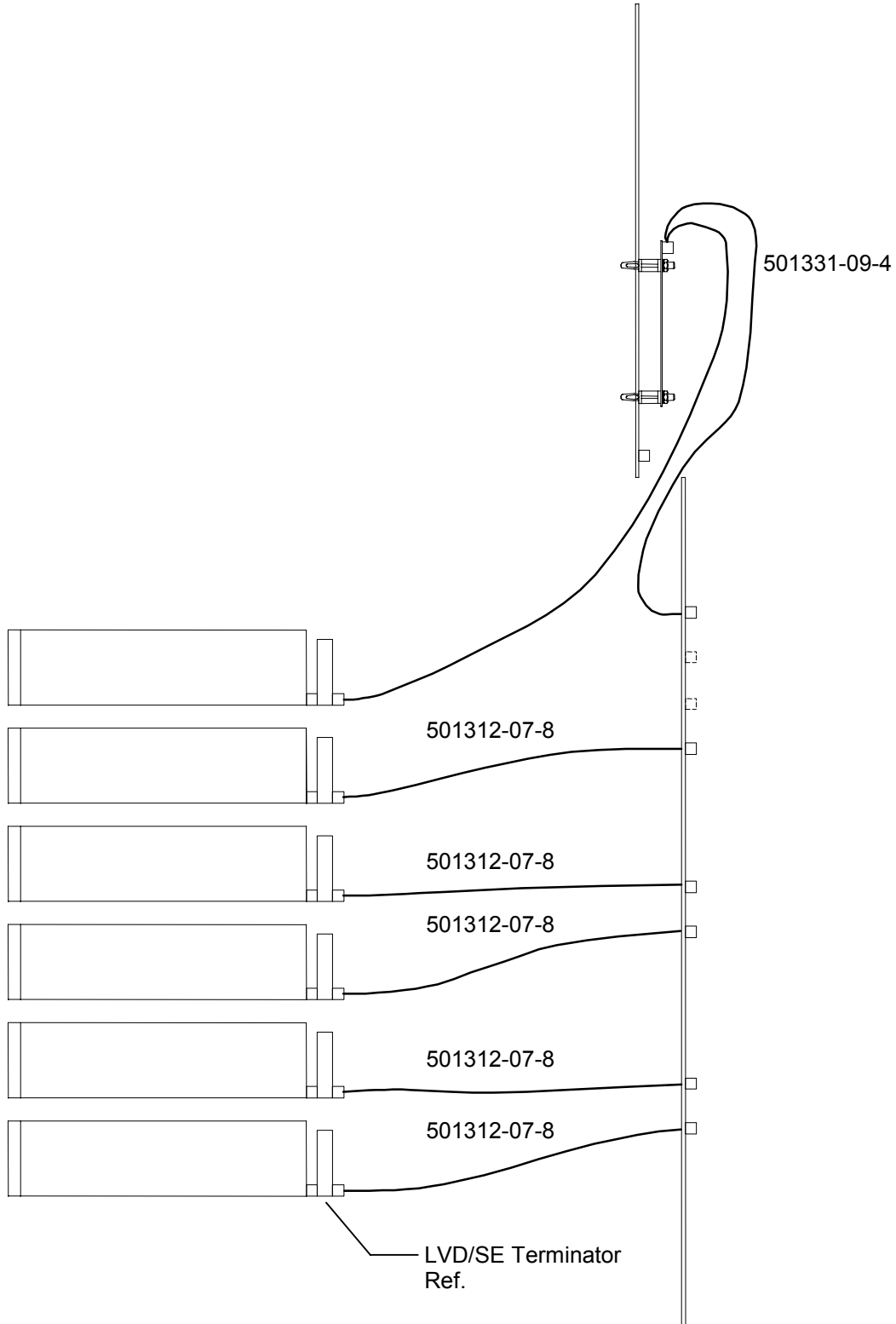


Figure 3-11 500848-54-4

TLS-46xxx 6X HD68 (6x1) HVD

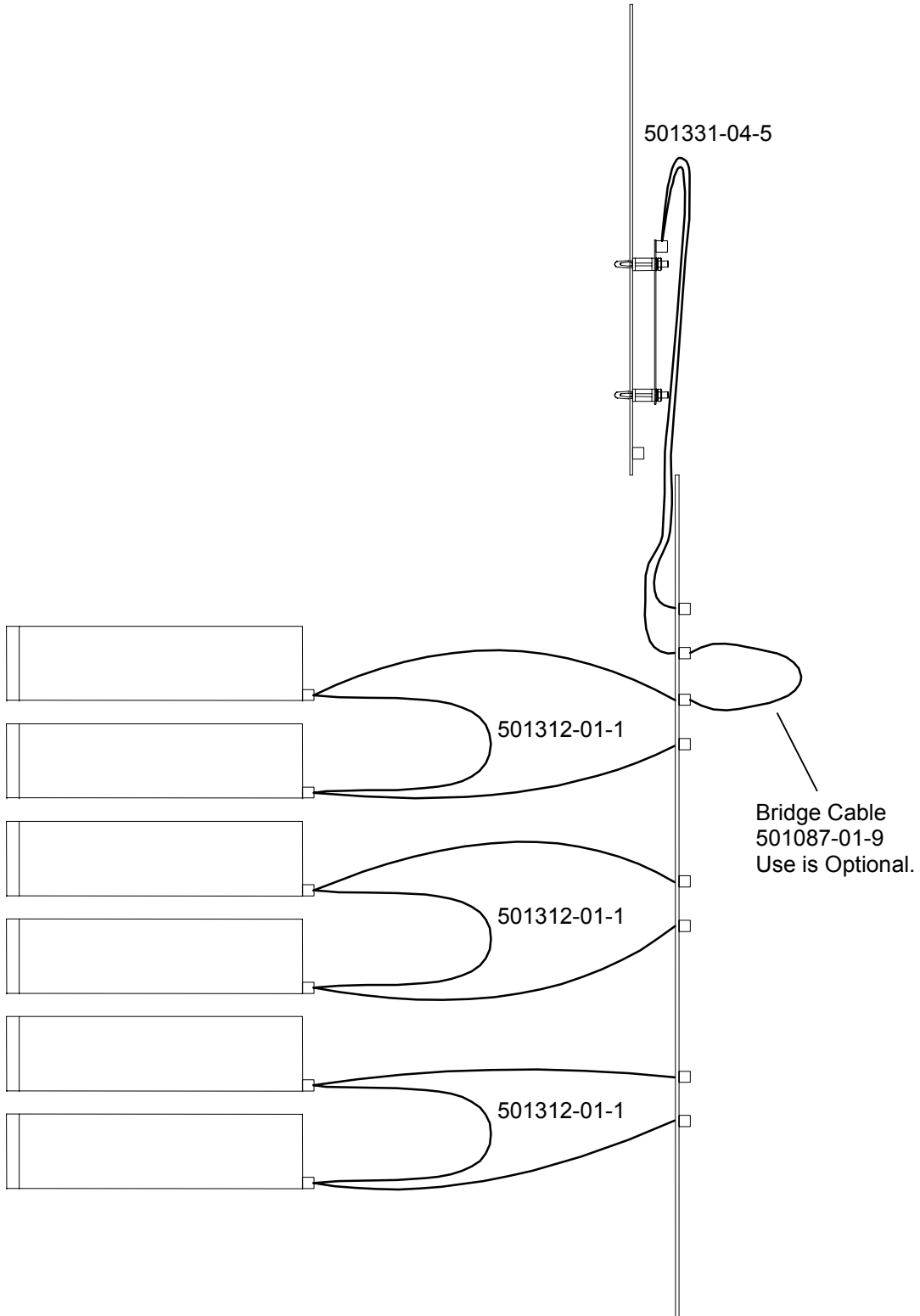


Figure 3-12 500848-33-8
TLS-46xxx 6X HD68 (3x2) HVD

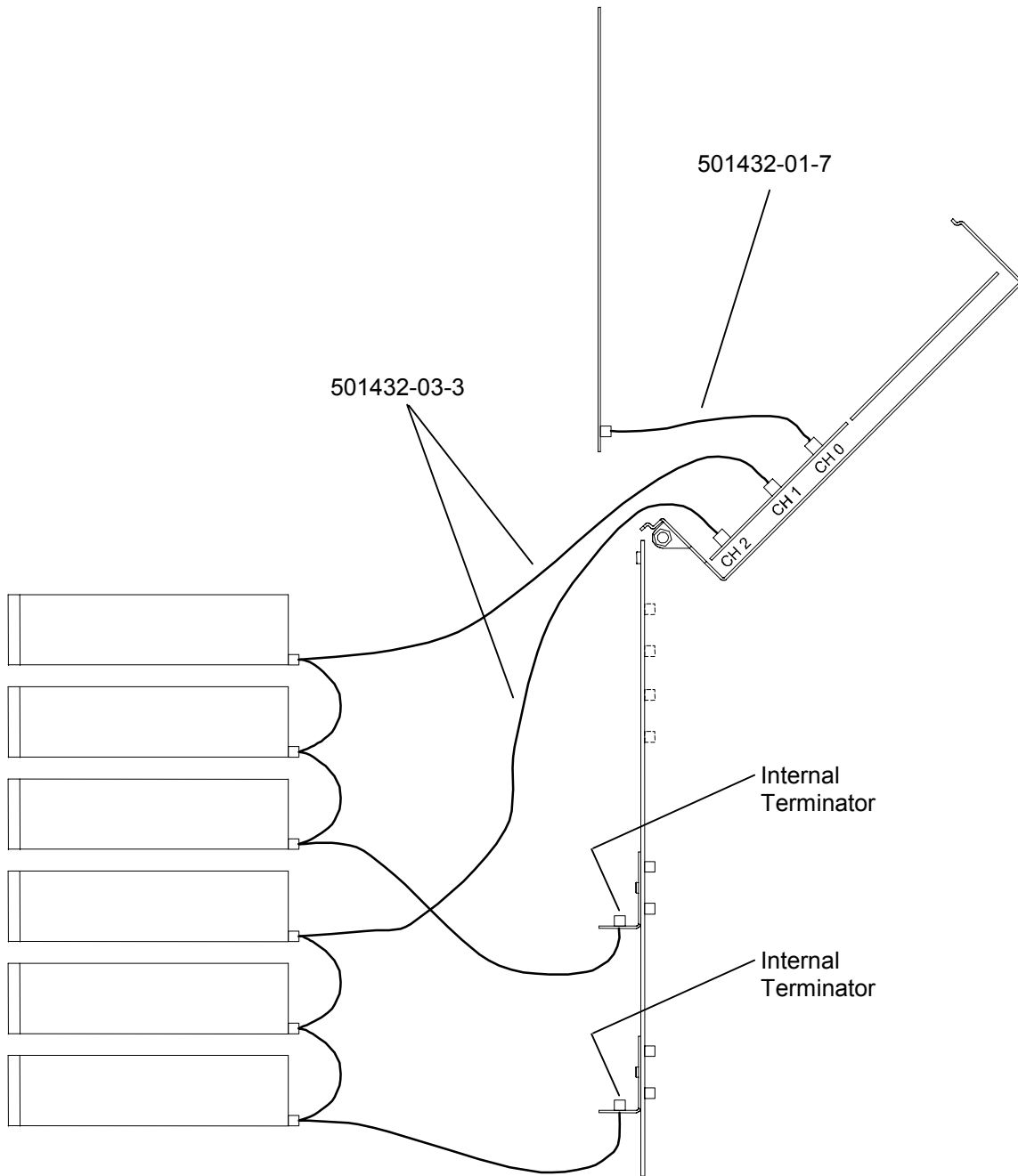


Figure 3-13 500848-43-7

TLS-46xxx 6X with FCO

Obsolete and Inactive TLS Hatch Assemblies

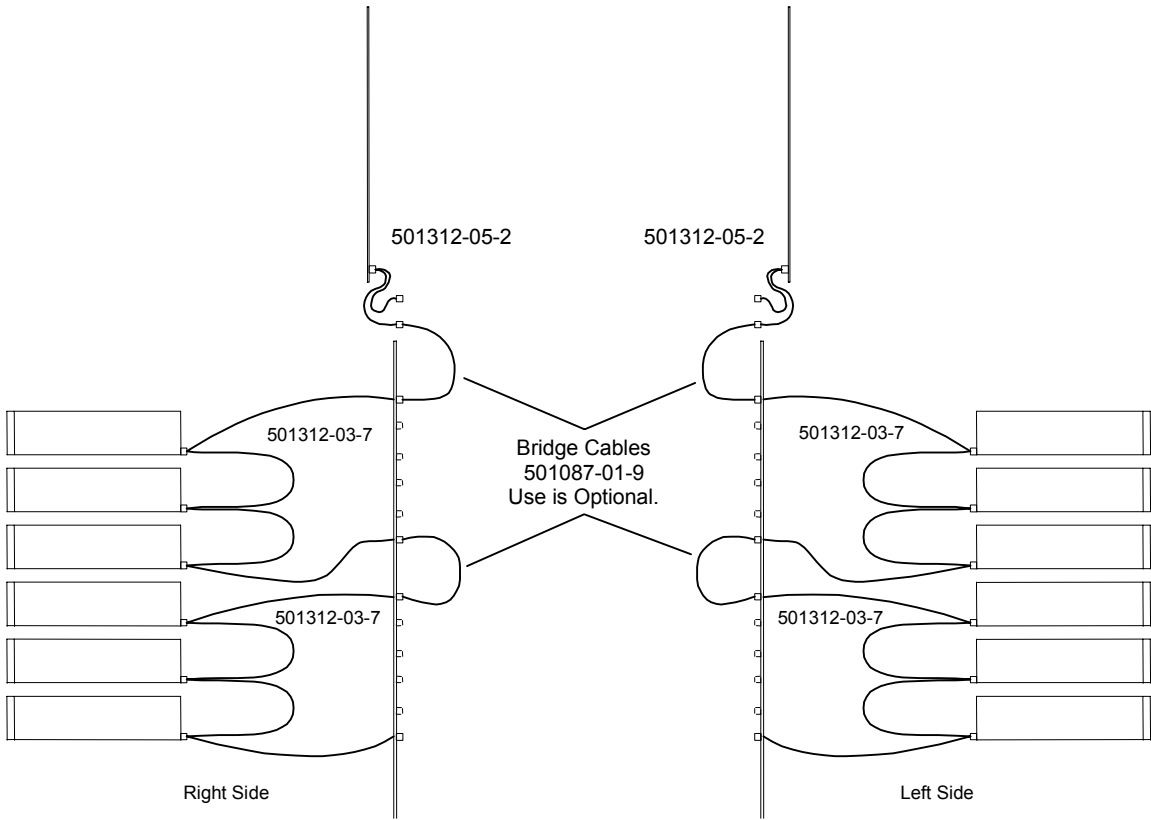


Figure 3-14 500848-15-5

**TLS-412xxx 4x3 (2x6)
4 Busses, 3 Drives/Bus or 2 Busses, 6 Drives/Bus**

Obsolete and Inactive TLS Hatch Assemblies

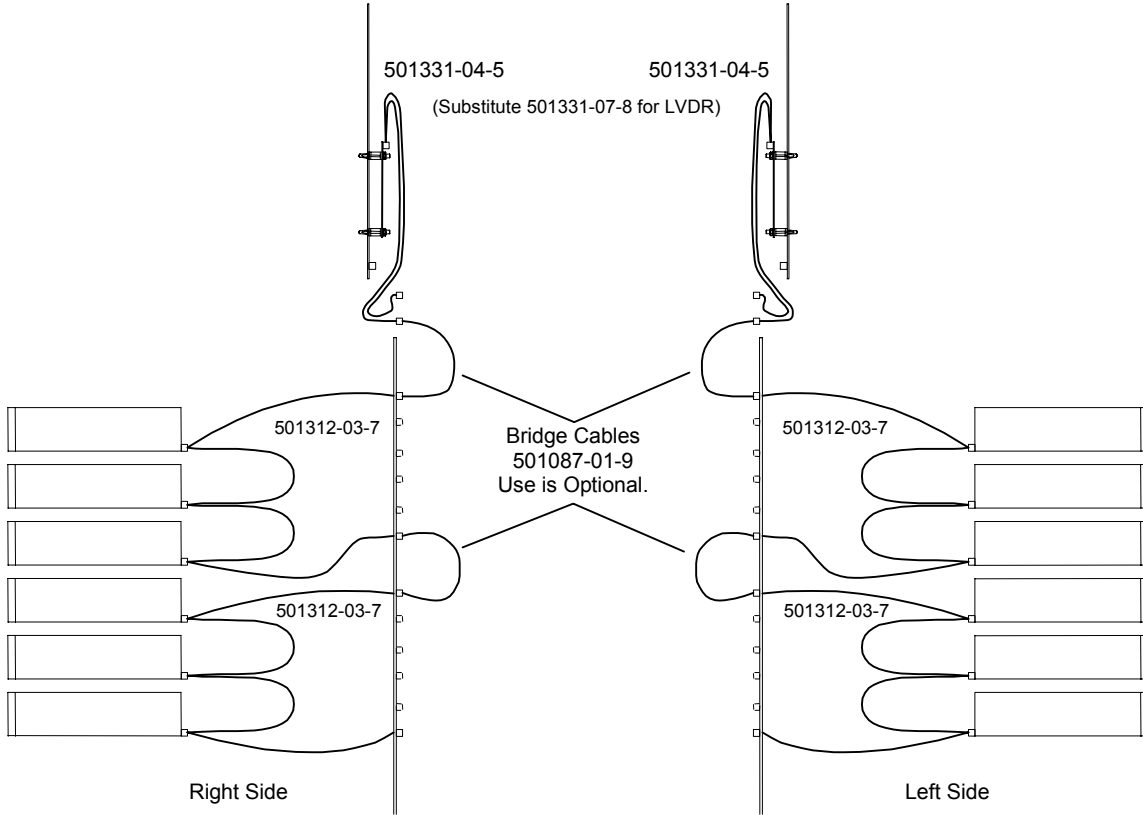


Figure 3-15 500848-17-1

TLS-412xxx 4x3 (2x6)
4 Busses, 3 Drives/Bus or 2 Busses, 6 Drives/Bus HVD

Obsolete and Inactive TLS Hatch Assemblies

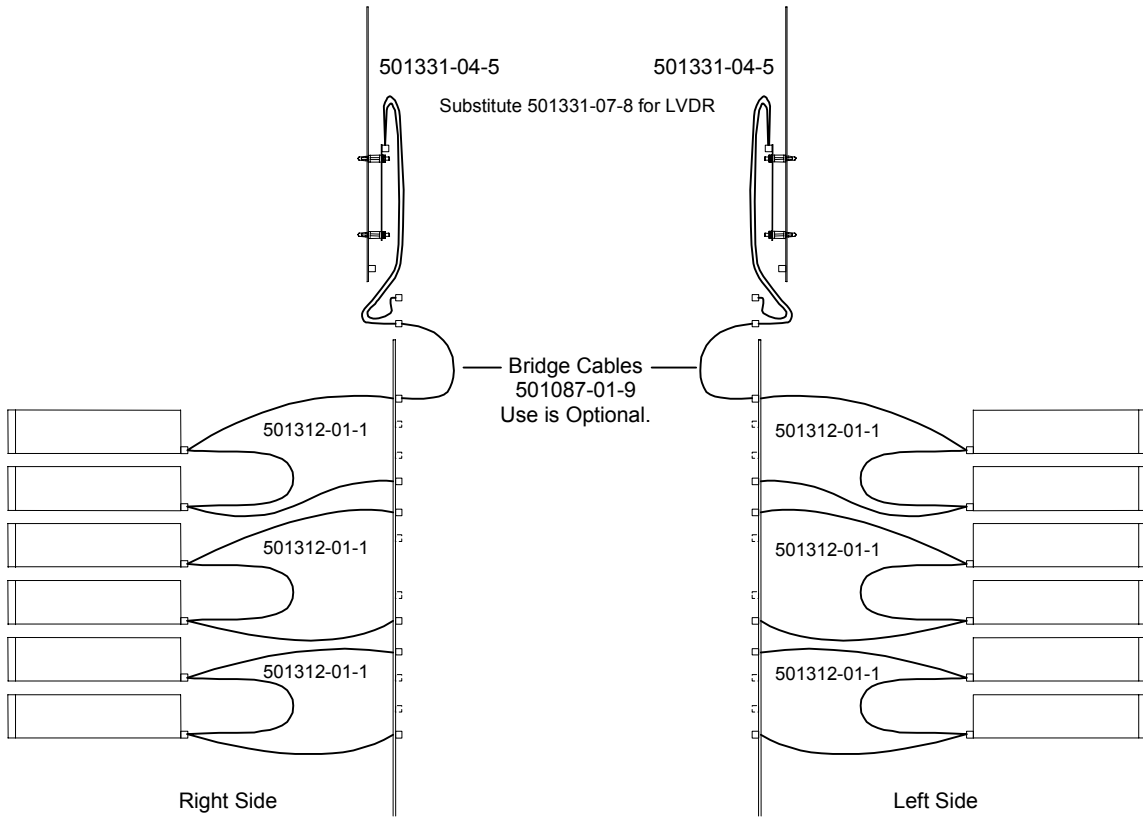


Figure 3-16 500848-18-9

**TLS-412xxx (6x2)
6 Busses, 2 Drives/Bus HVD**

Obsolete and Inactive TLS Hatch Assemblies

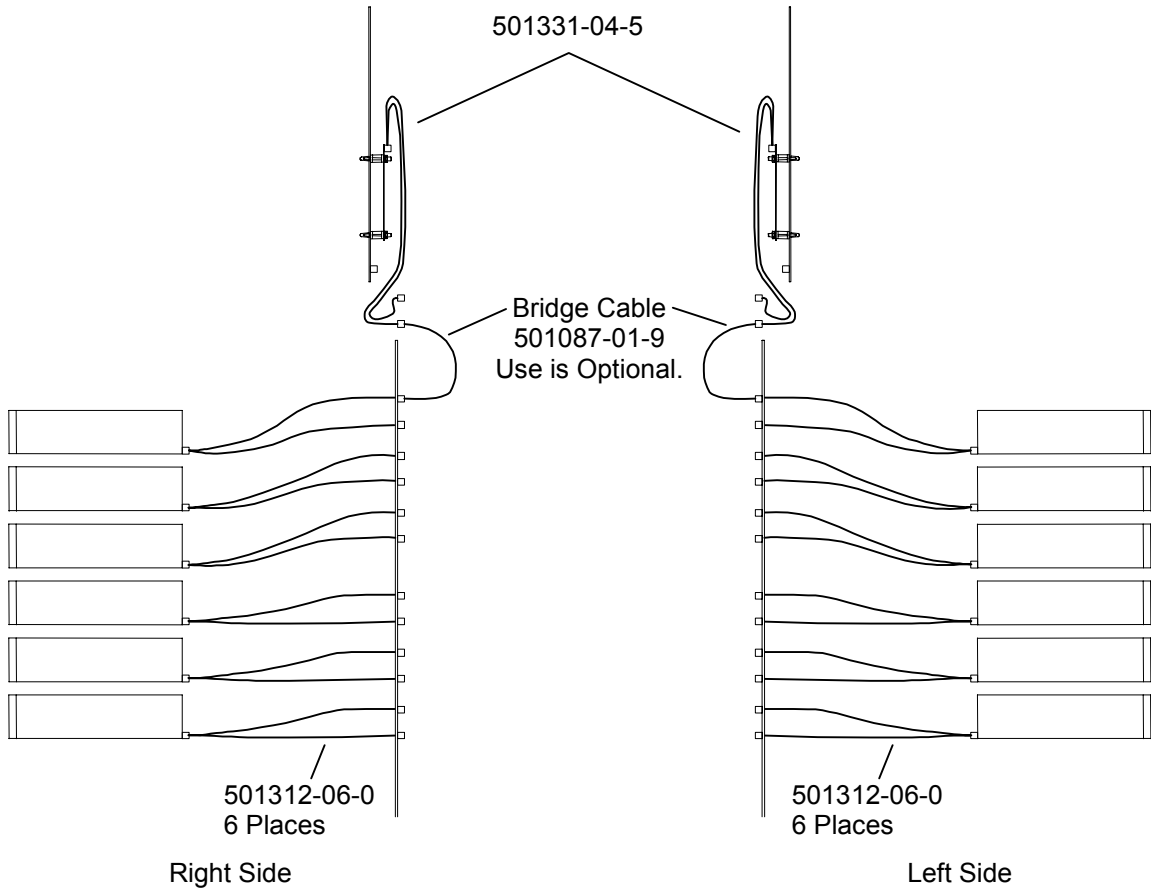


Figure 3-17 500848-55-1
TLS-412xxx (12x1)
12 Busses, 1 Drive/Bus HVD

Obsolete and Inactive TLS Hatch Assemblies

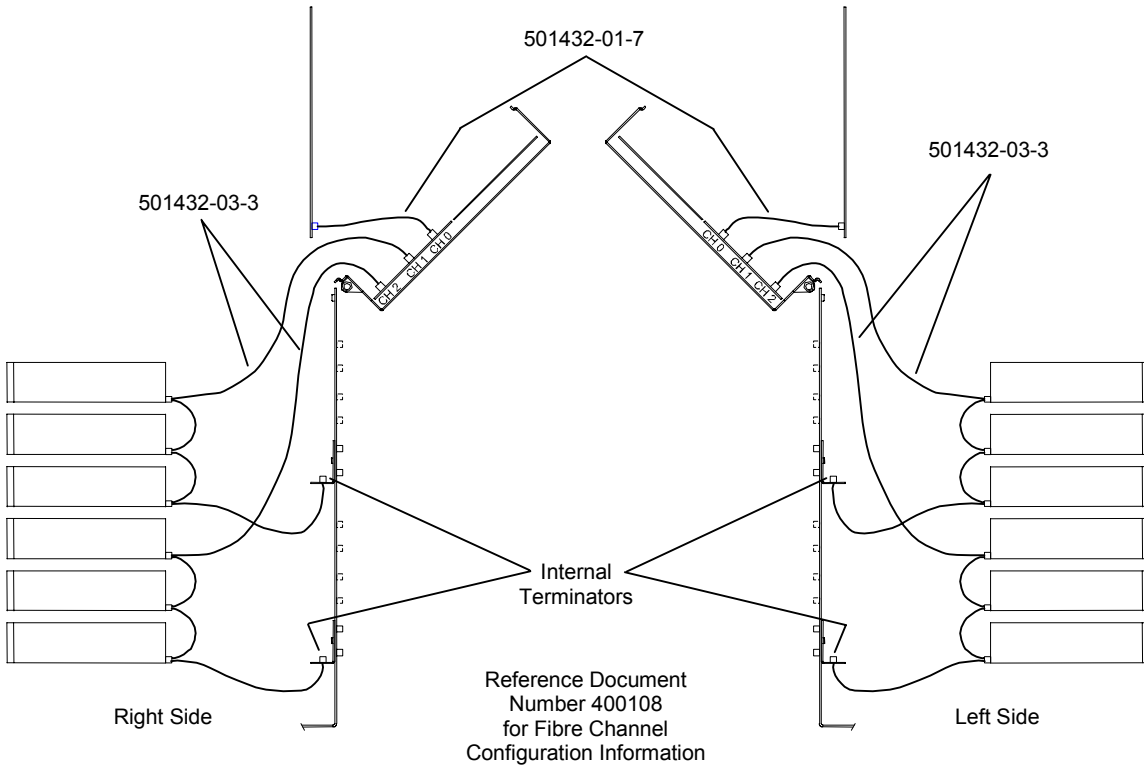


Figure 3-18 500848-44-5

TLS-412xxx 12X with FCO

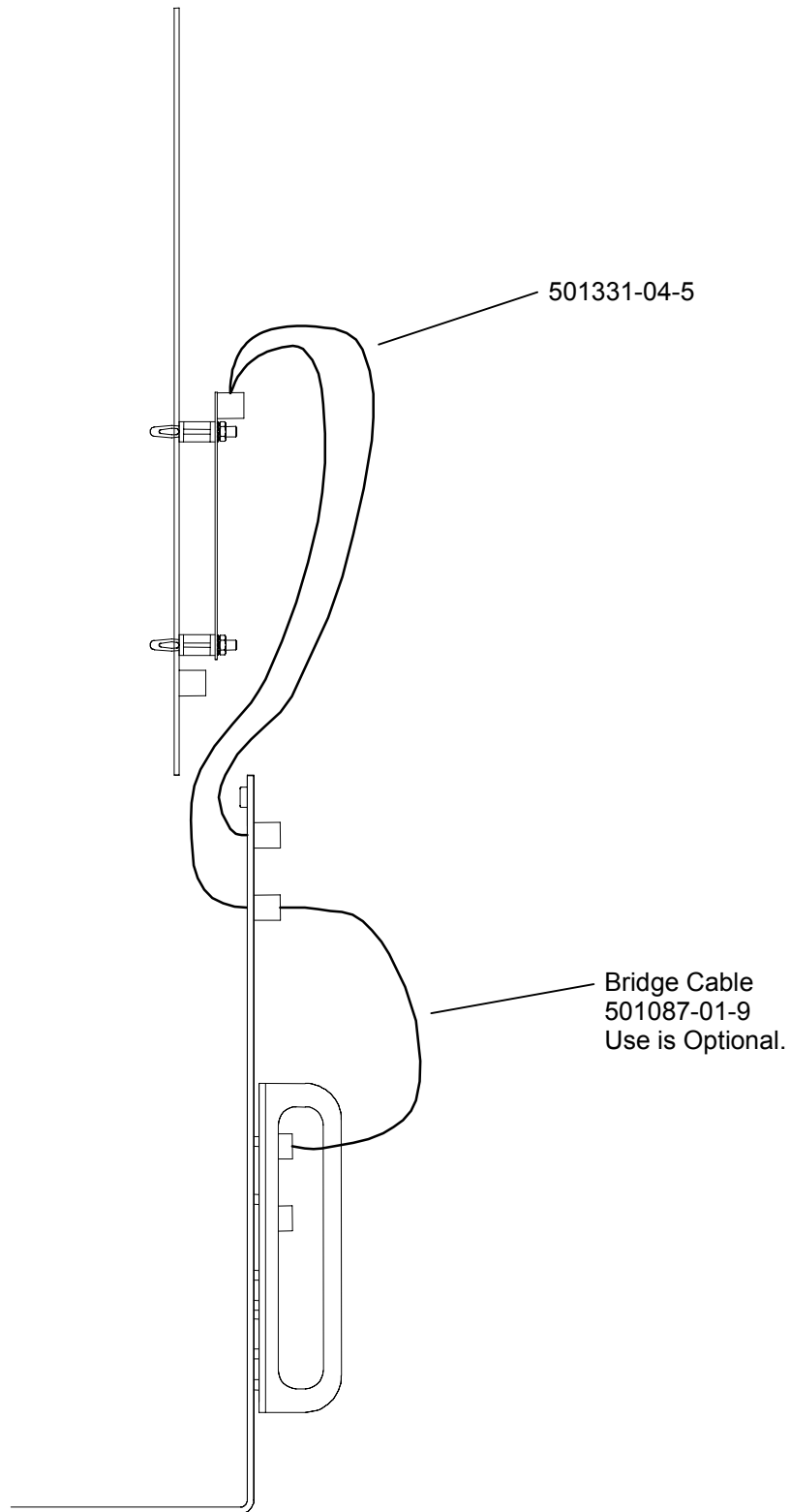


Figure 3-19 TLS-61xx/81xx HVD

TLS-61xx/81xx 1X HVD

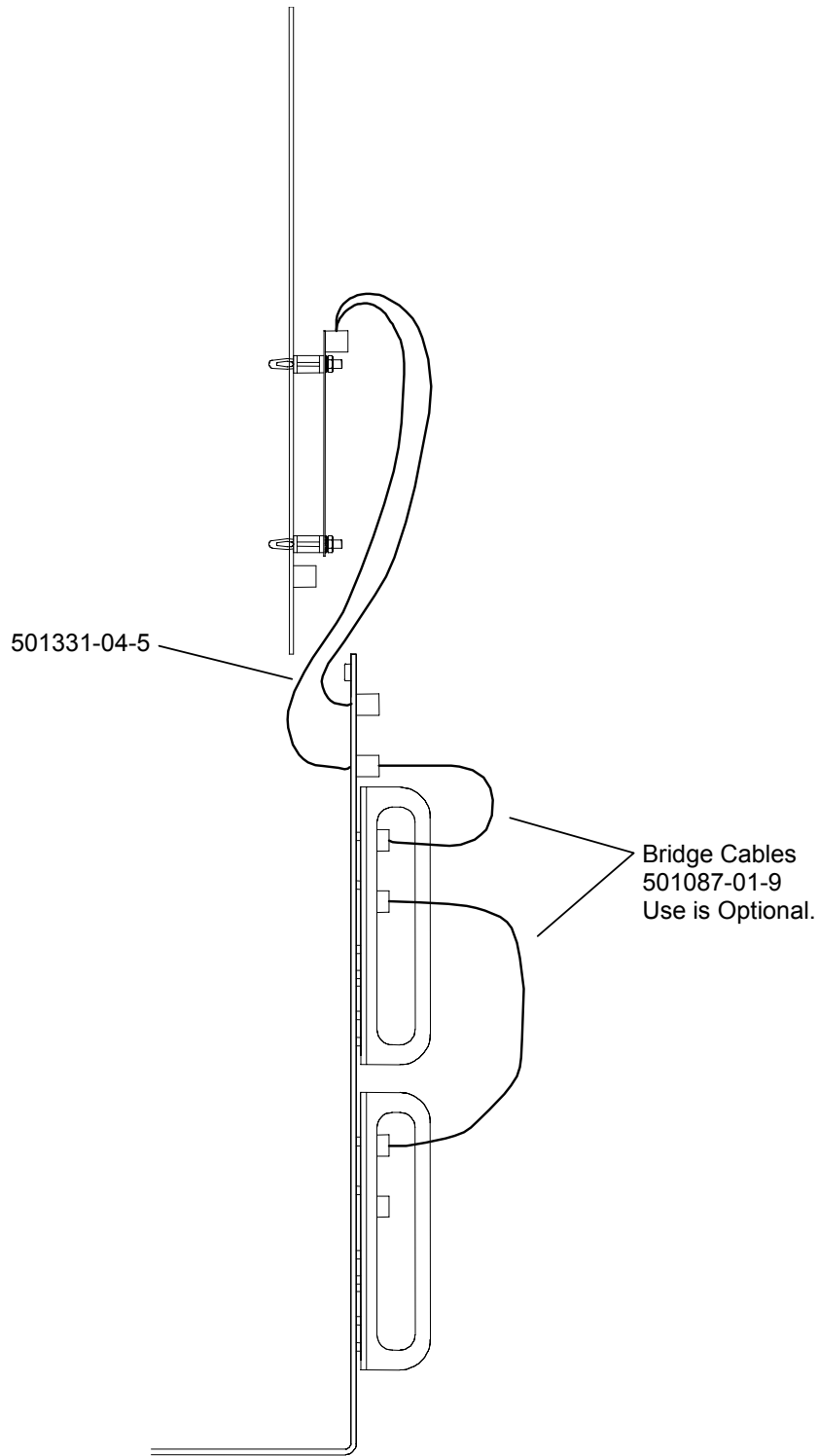


Figure 3-20 TLS-52xx/62xx/82xx HVD

TLS-52xx/62xx/82xx 2X HVD

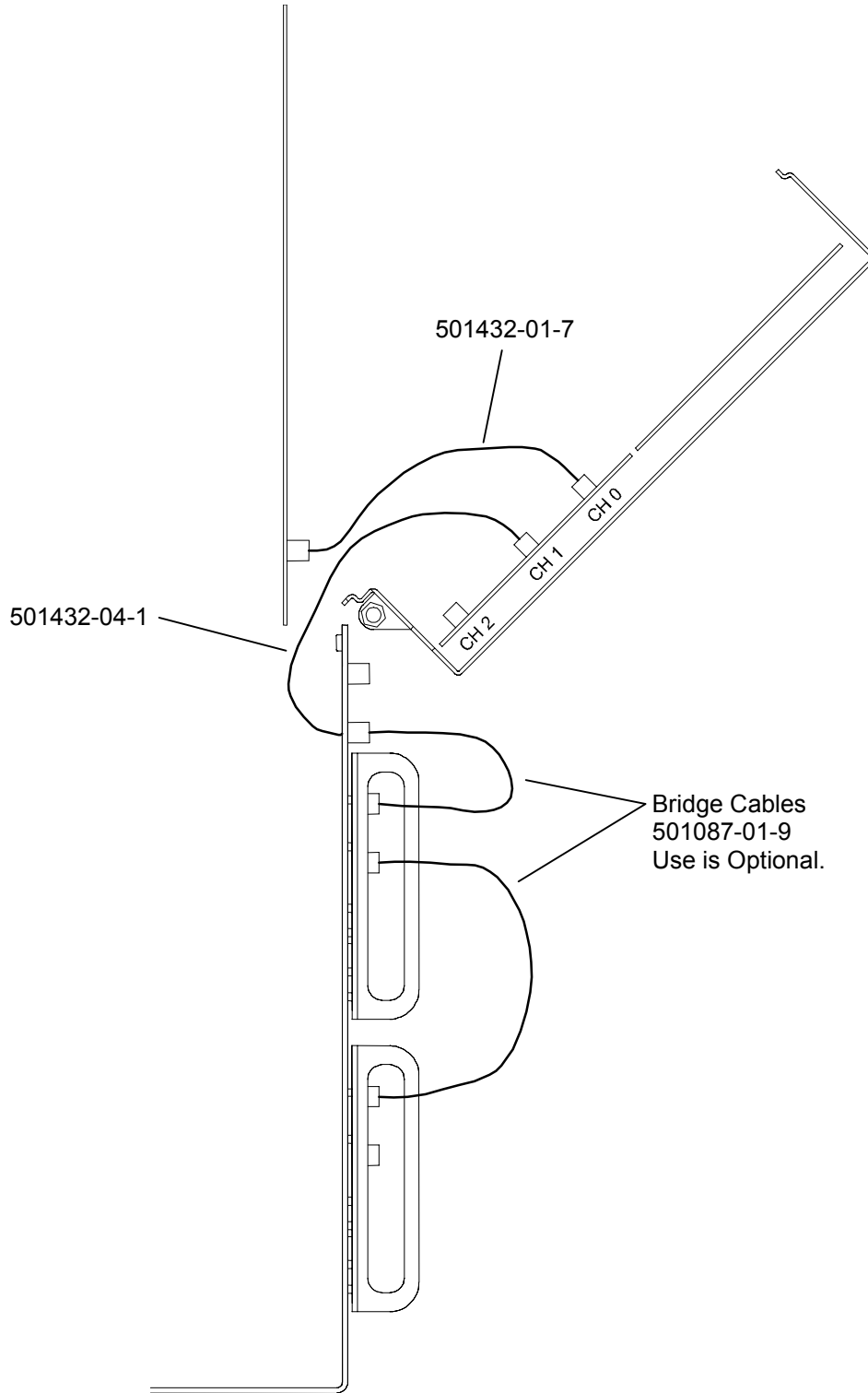


Figure 3-21 500848-45-2

TLS-52xx/62xx/82xx 2X FCO

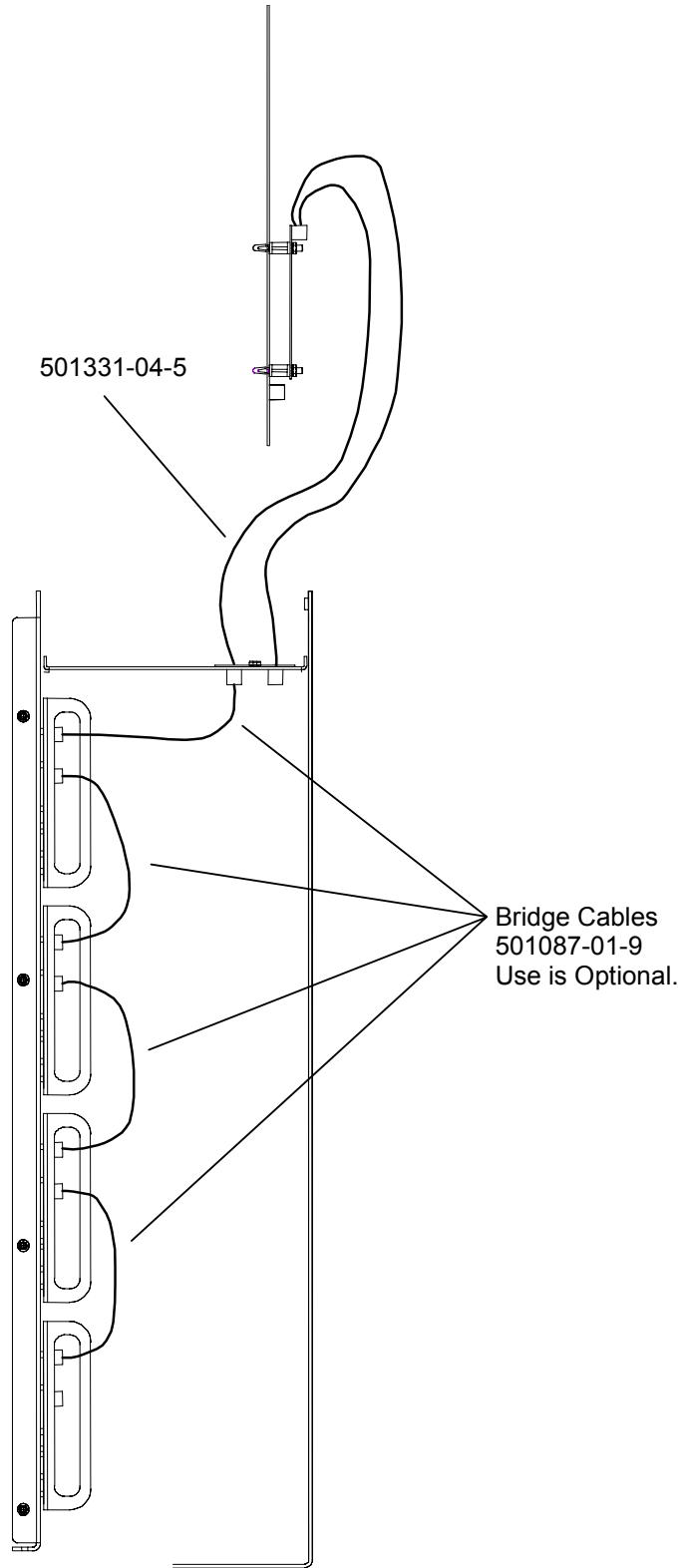


Figure 3-22 TLS-54xx/64xx/84xx HVD

TLS-54xx/64xx/84xx 4X HVD

Obsolete and Inactive TLS Hatch Assemblies

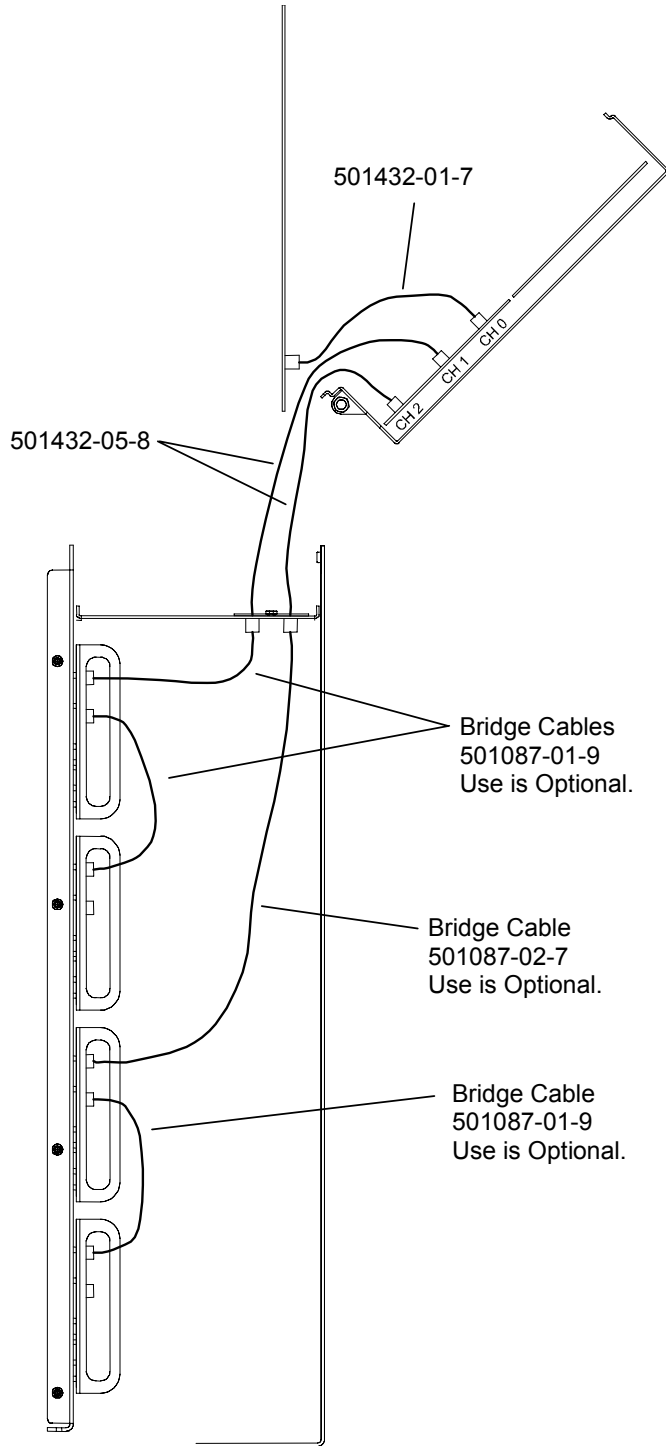


Figure 3-23 500848-46-0

TLS-54xx/64xx/84xx 4X FCO

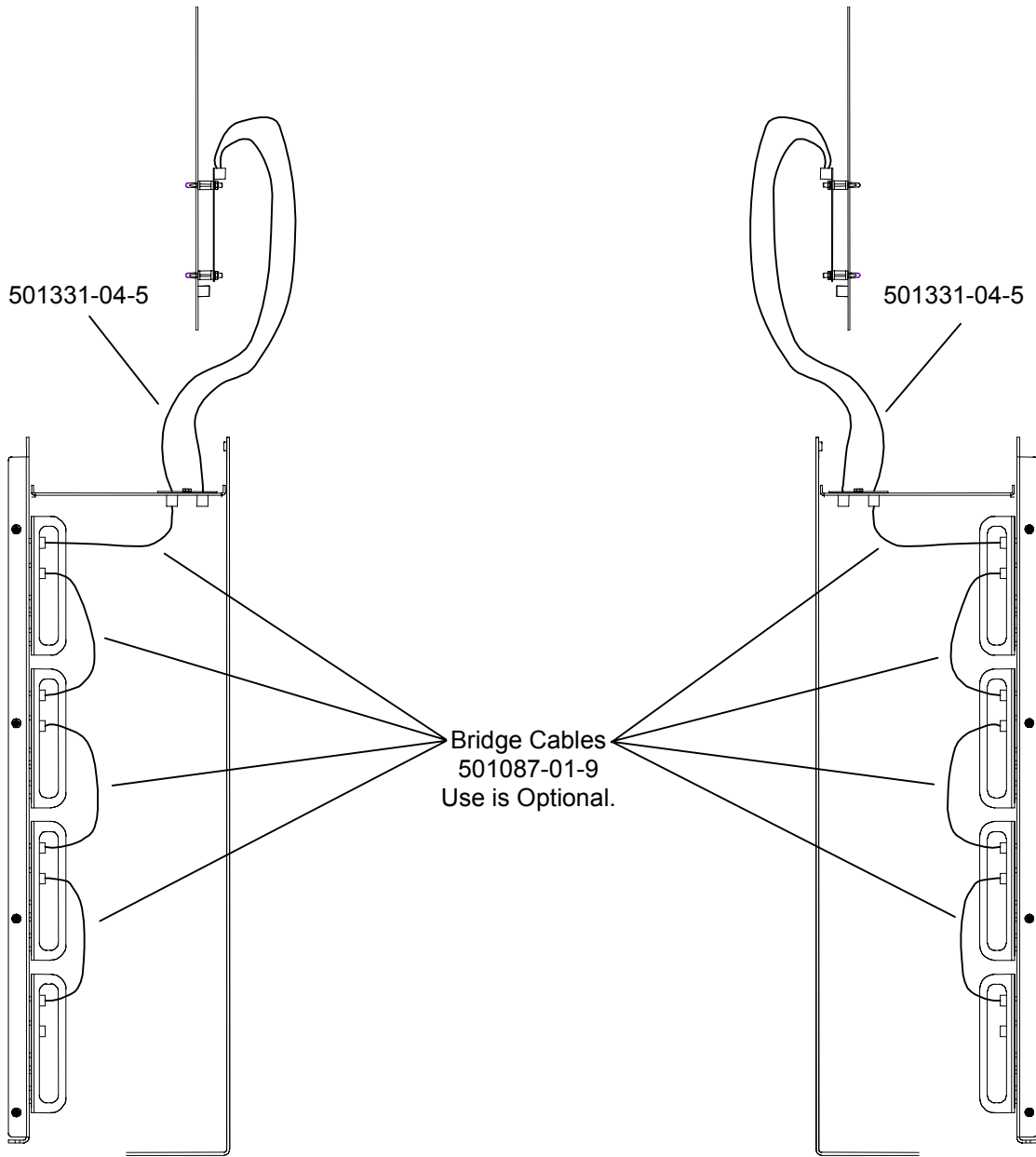


Figure 3-24 TLS-58xxx/68xxx/88xxx HVD

TLS-58xxx/68xxx/88xxx 8X HVD

Obsolete and Inactive TLS Hatch Assemblies

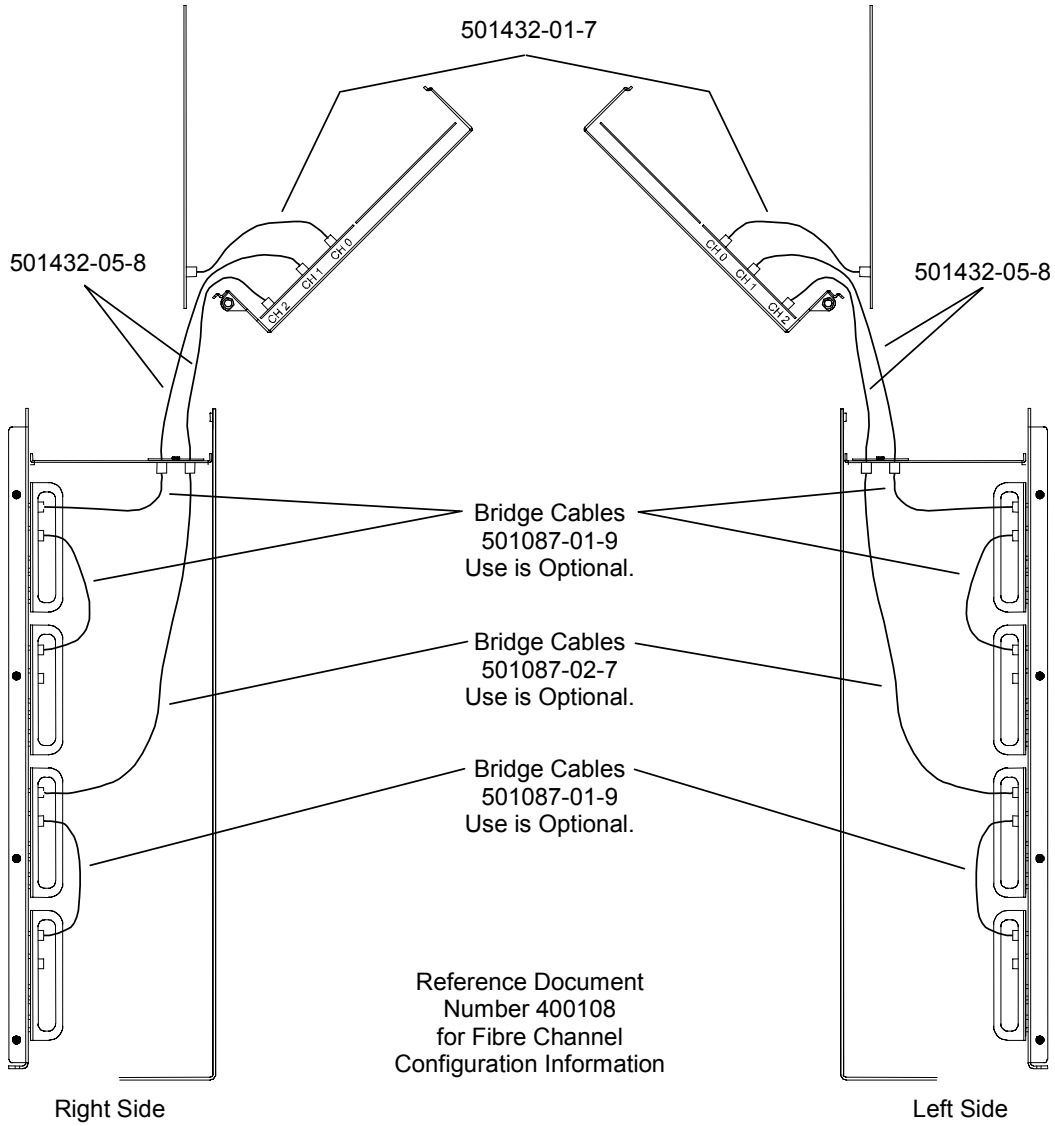


Figure 3-25 500848-47-8

TLS-58xxx/68xxx/88xxx 8X FCO